

TOM AR
Roofing & Sheet Metal Ltd.

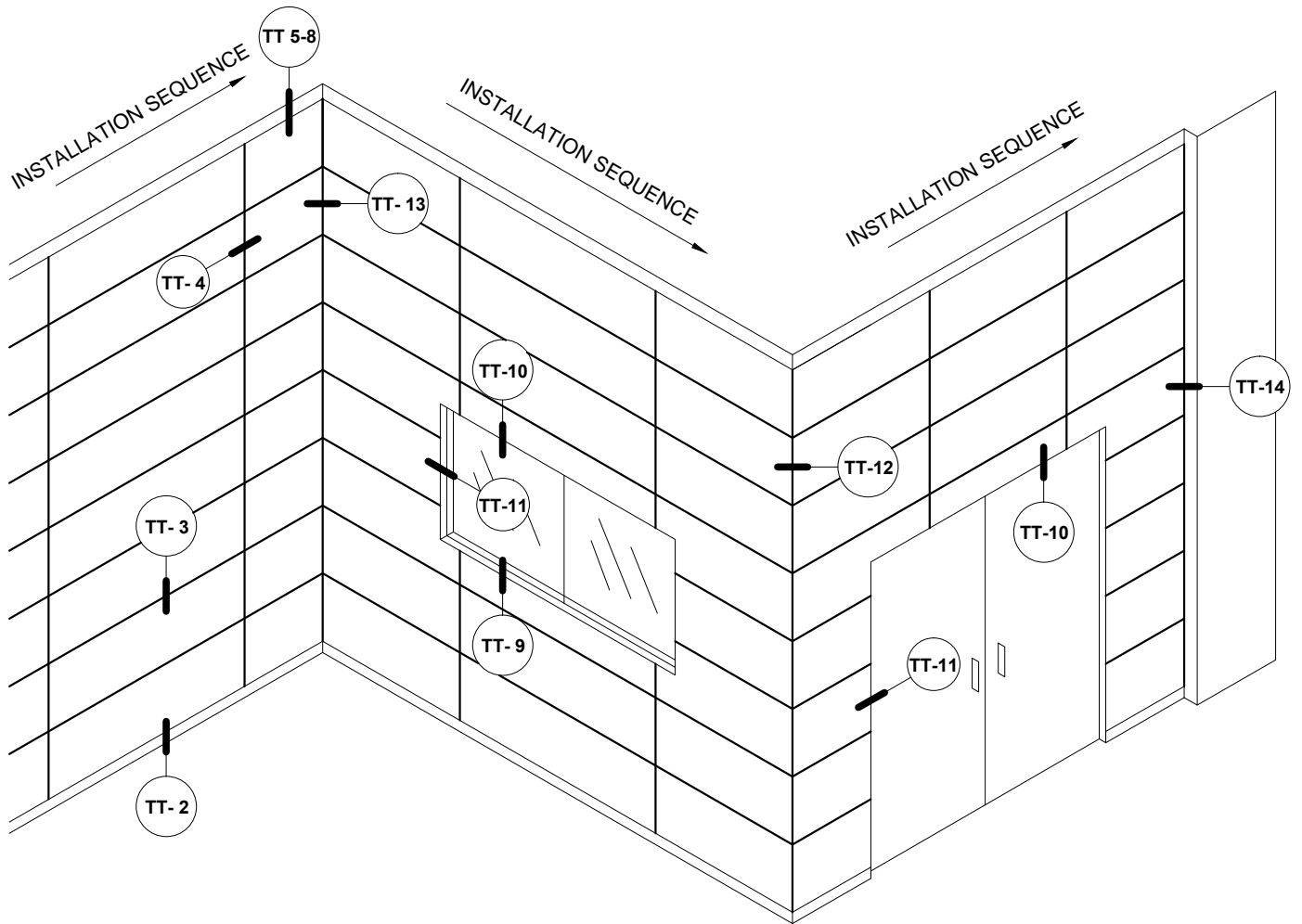
#101 - 199 Pinto Rd.
Kelowna, BC.V1V 2G9
Ph: (250) 765-8122
Fax: (250) 765-7063

DETAIL:

COMPOSITE PANEL SYSTEM

TYPE:

SYSTEM OVERVIEW



INDEX

- (TT- 0): SYSTEM OVERVIEW
- (TT- 2): SYSTEM ISOMETRIC
- (TT- 3) - (TT-14) : SYSTEM DETAILS
- (TT-15): ATTACHED COMPONENTS

TOM AR
Roofing & Sheet Metal Ltd.

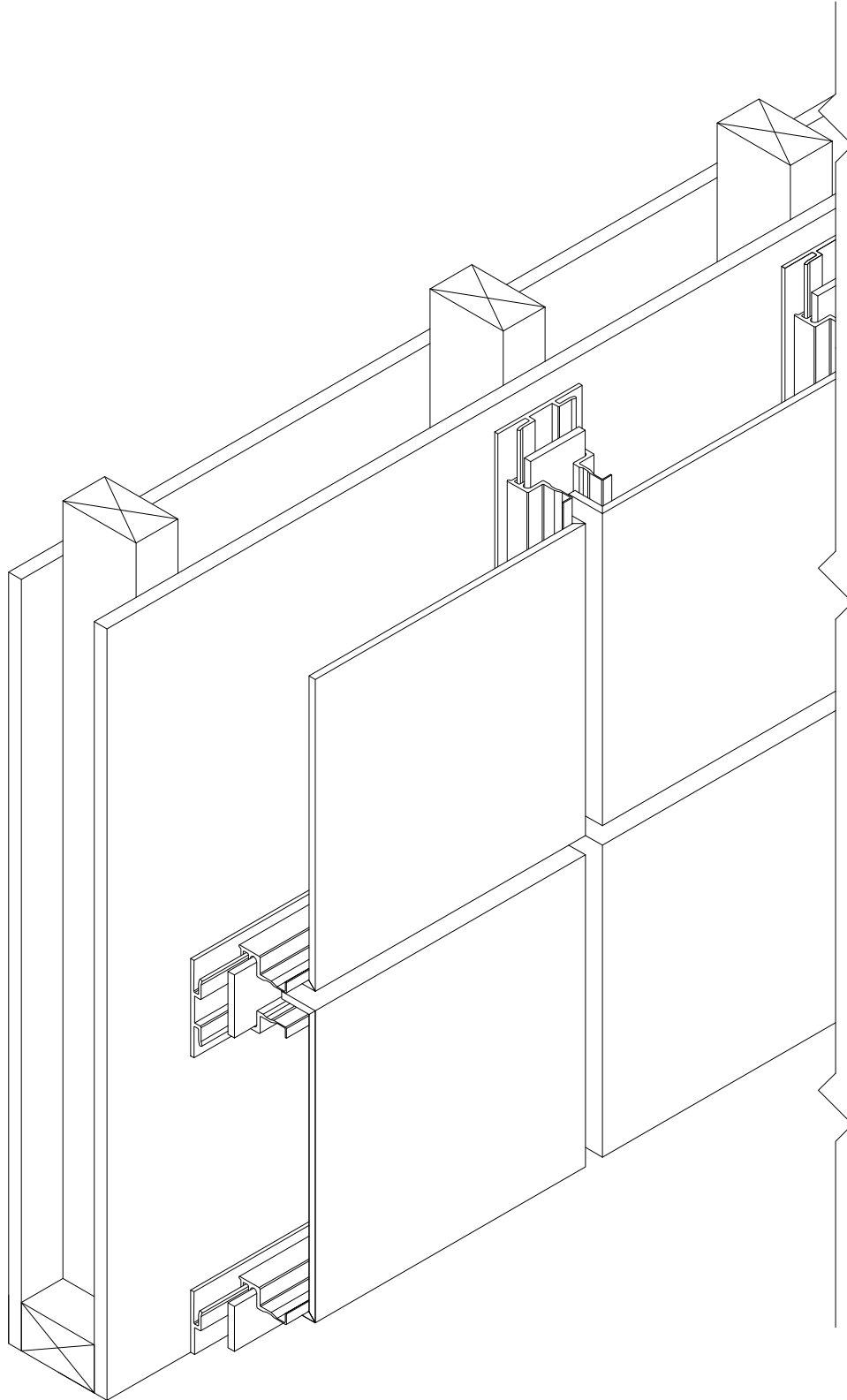
#101 - 199 Pinto Rd.
Kelowna, BC.V1V 2G9
Ph: (250) 765-8122
Fax: (250) 765-7063

DETAIL:

SYSTEM ISOMETRIC

TYPE:

ISOMETRIC



TOM AR
Roofing & Sheet Metal Ltd.

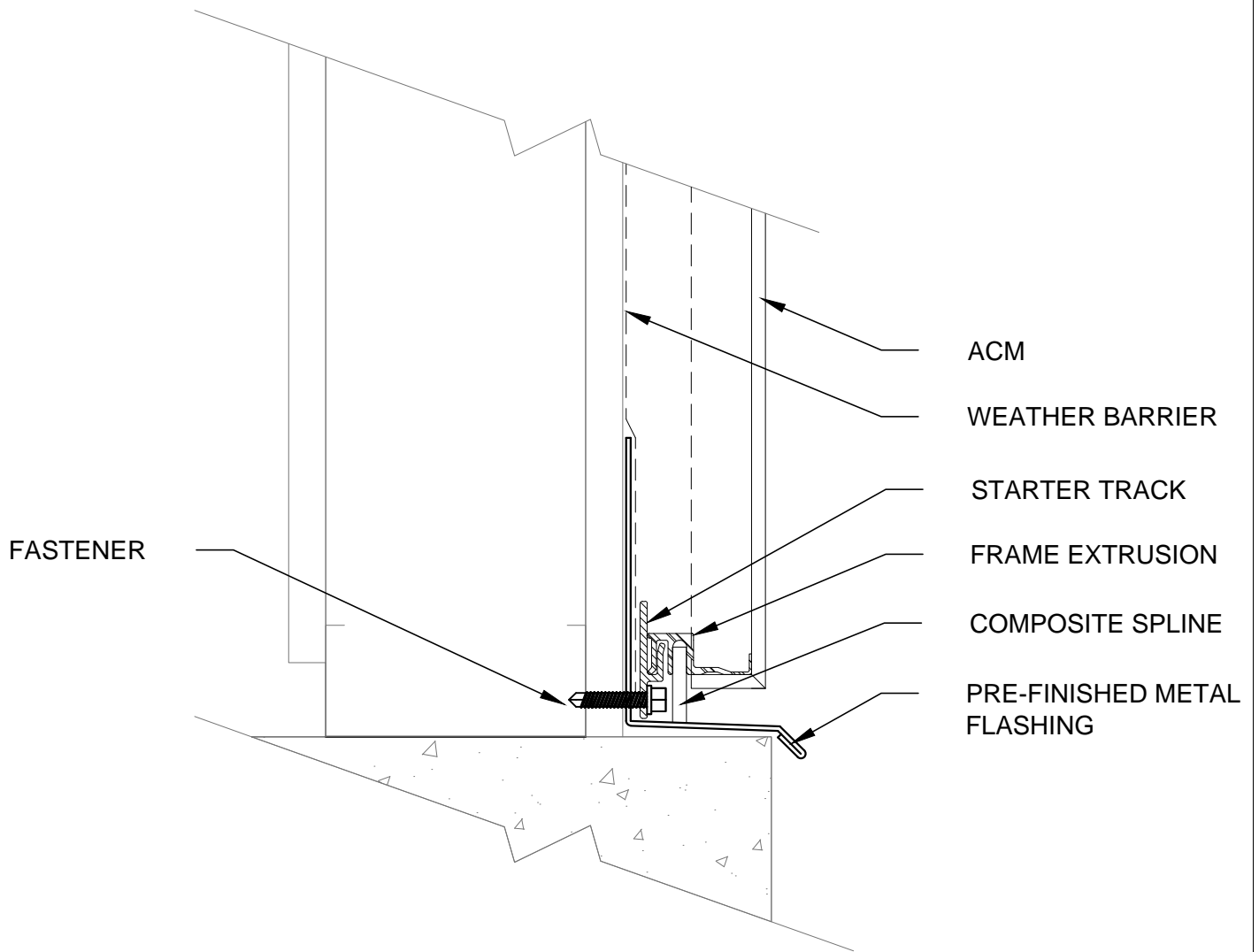
#101 - 199 Pinto Rd.
Kelowna, BC.V1V 2G9
Ph: (250) 765-8122
Fax: (250) 765-7063

DETAIL:

**TT- 2 BASE WALL CONDITION
W/ STARTER TRACK**

TYPE:

SECTION

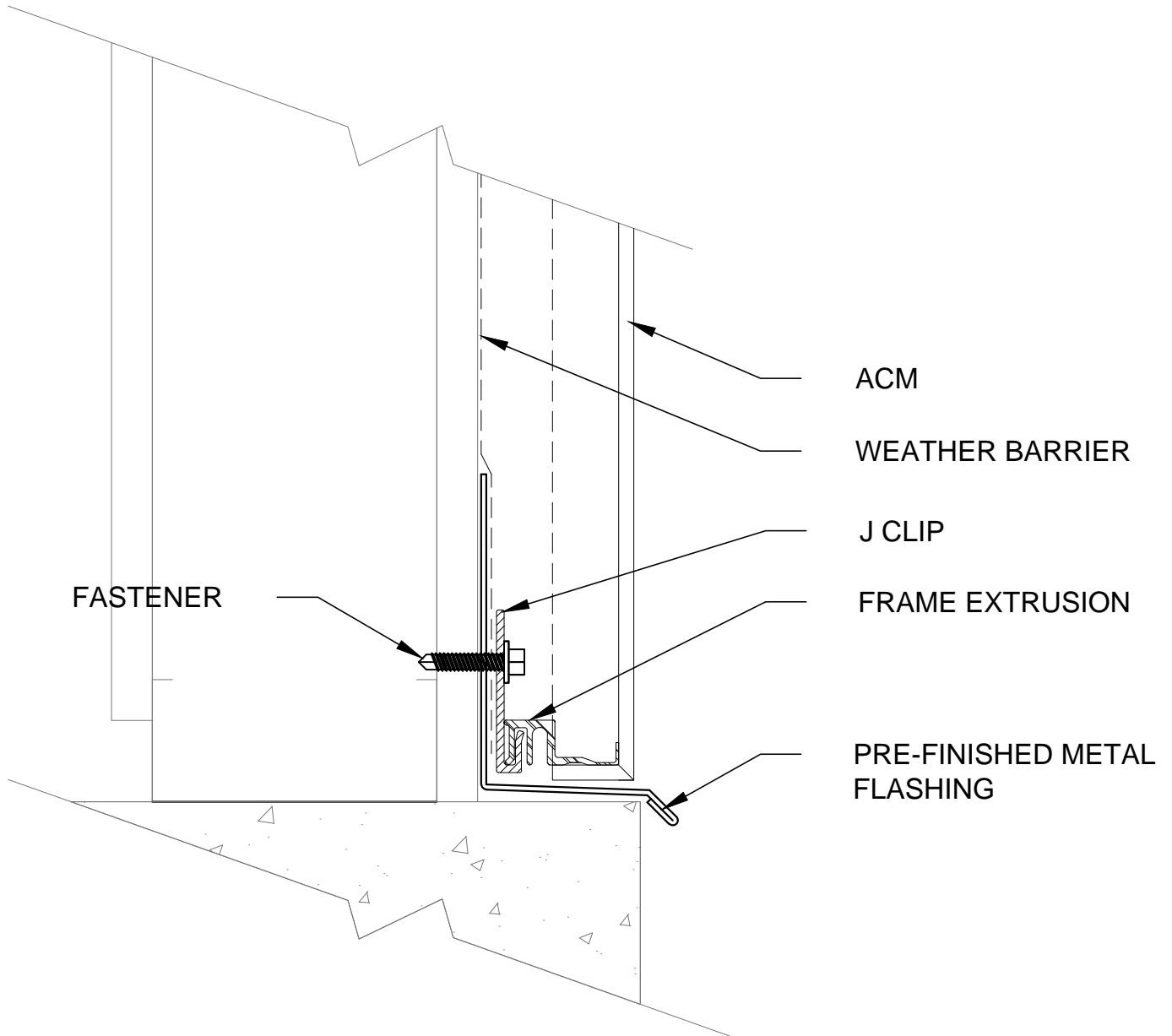


TOM TAR
Roofing & Sheet Metal Ltd.

#101 - 199 Pinto Rd.
Kelowna, BC.V1V 2G9
Ph: (250) 765-8122
Fax: (250) 765-7063

DETAIL:
TT- 2A BASE WALL CONDITION
W/ J CLIP

TYPE:
SECTION



TOM TAR
Roofing & Sheet Metal Ltd.

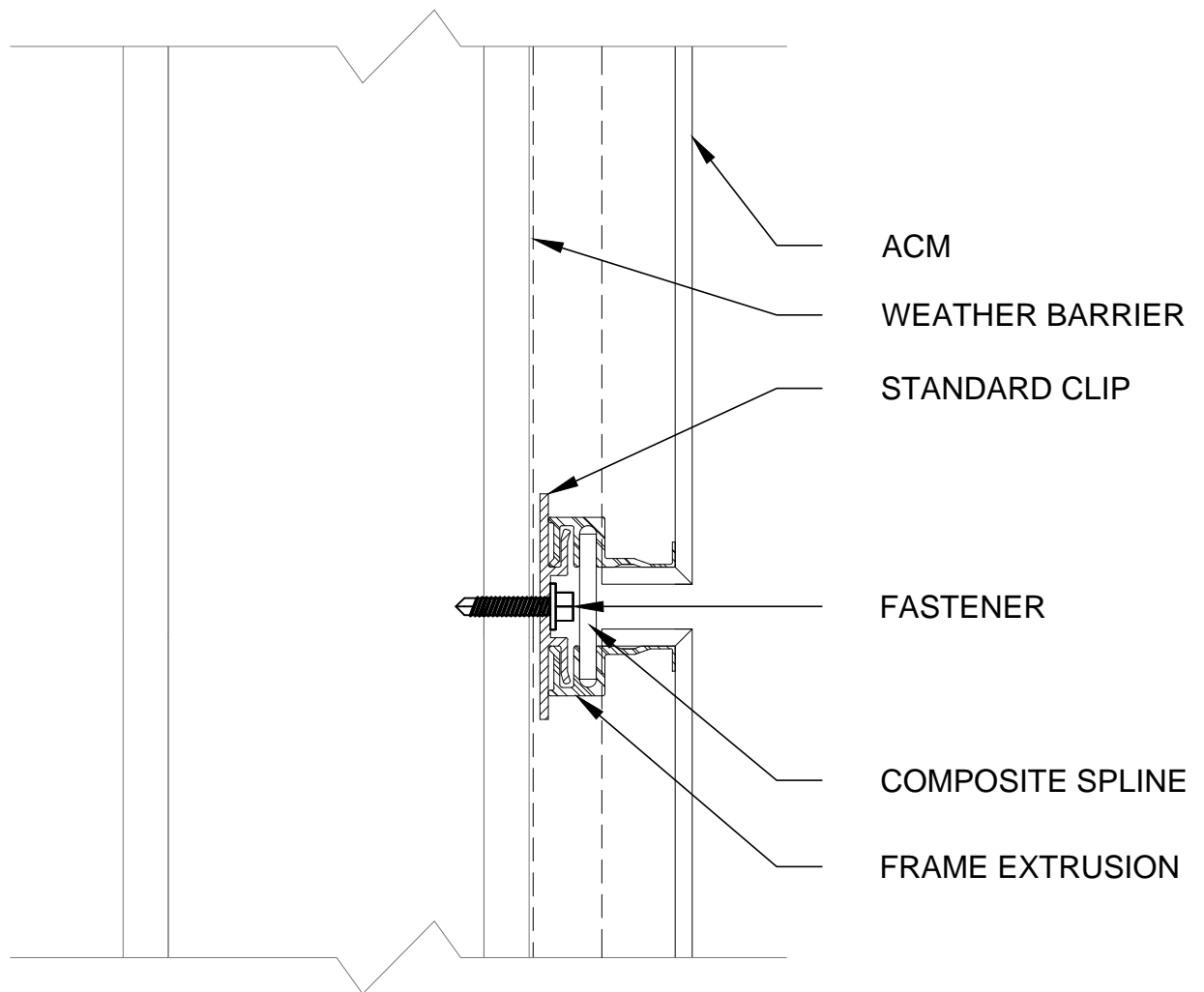
#101 - 199 Pinto Rd.
Kelowna, BC.V1V 2G9
Ph: (250) 765-8122
Fax: (250) 765-7063

DETAIL:

TT- 3 HORIZONTAL JOINT

TYPE:

SECTION



TOM TAR
Roofing & Sheet Metal Ltd.

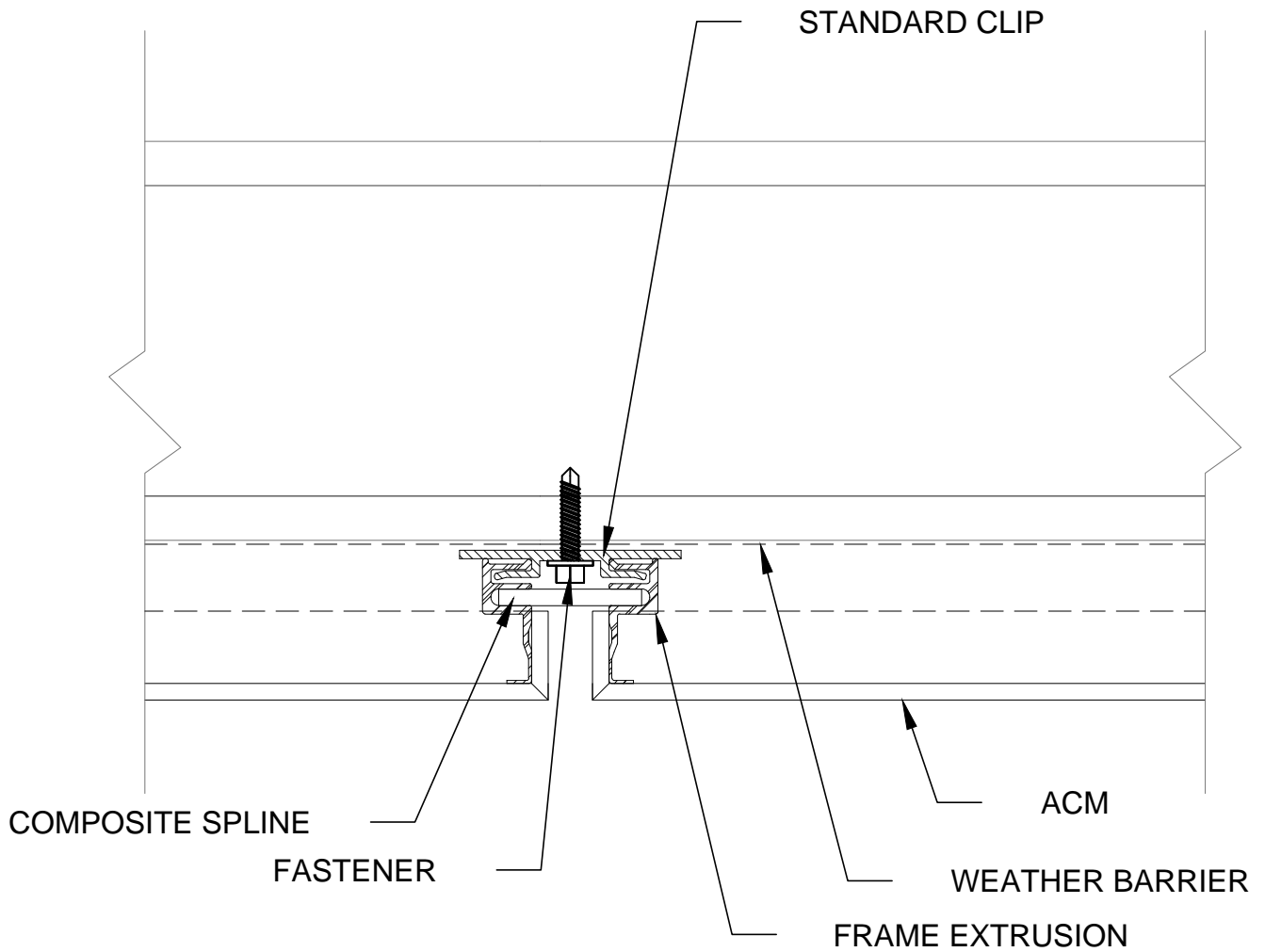
#101 - 199 Pinto Rd.
Kelowna, BC.V1V 2G9
Ph: (250) 765-8122
Fax: (250) 765-7063

DETAIL:

TT- 4 VERTICAL JOINT

TYPE:

PLAN



TOM TAR
Roofing & Sheet Metal Ltd.

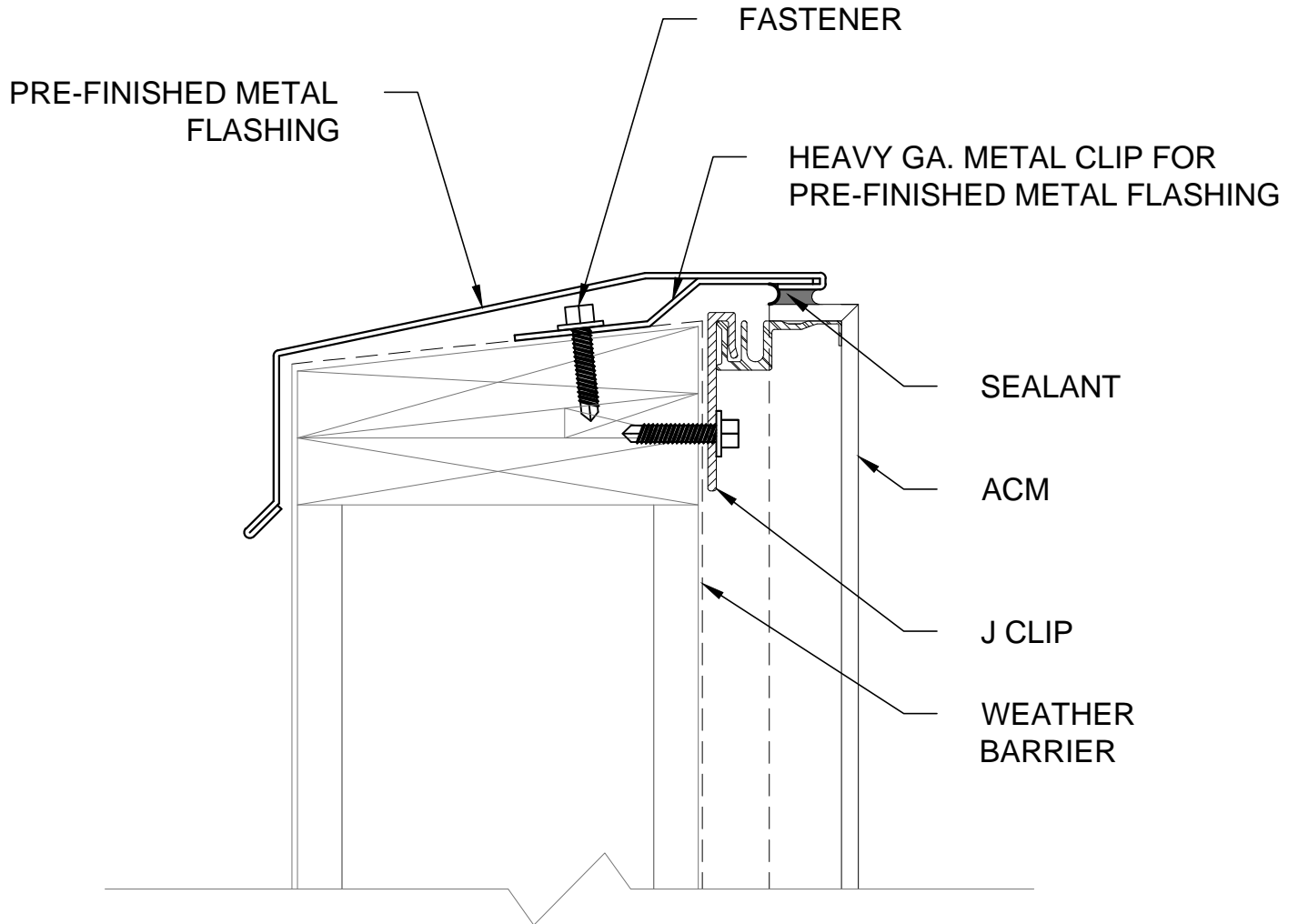
#101 - 199 Pinto Rd.
Kelowna, BC.V1V 2G9
Ph: (250) 765-8122
Fax: (250) 765-7063

DETAIL:

TT- 5 PARAPET CONDITION

TYPE:

SECTION



TOM TAR
Roofing & Sheet Metal Ltd.

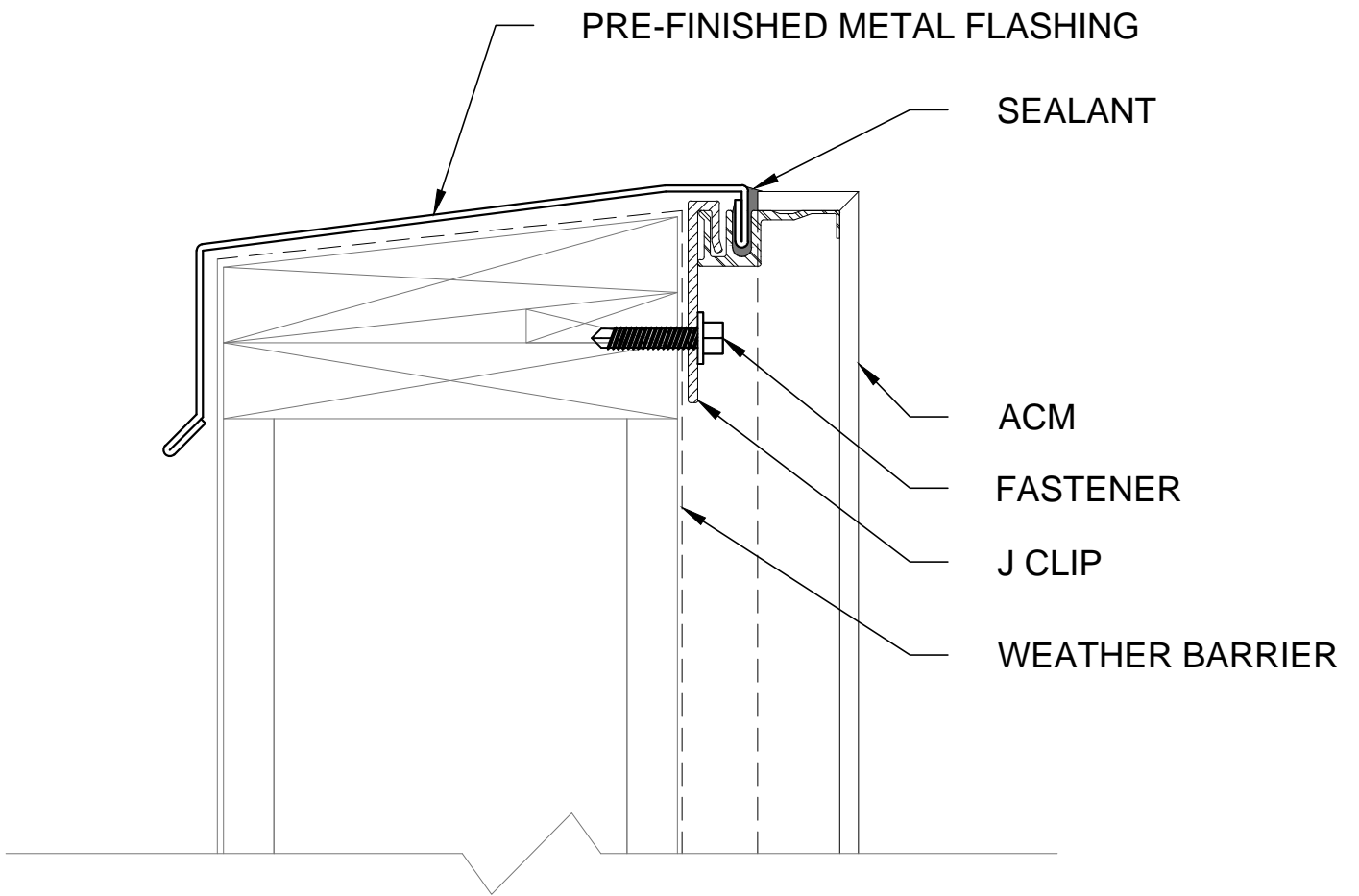
#101 - 199 Pinto Rd.
Kelowna, BC.V1V 2G9
Ph: (250) 765-8122
Fax: (250) 765-7063

DETAIL:

TT- 6 PARAPET CONDITION

TYPE:

SECTION



TOM AR
Roofing & Sheet Metal Ltd.

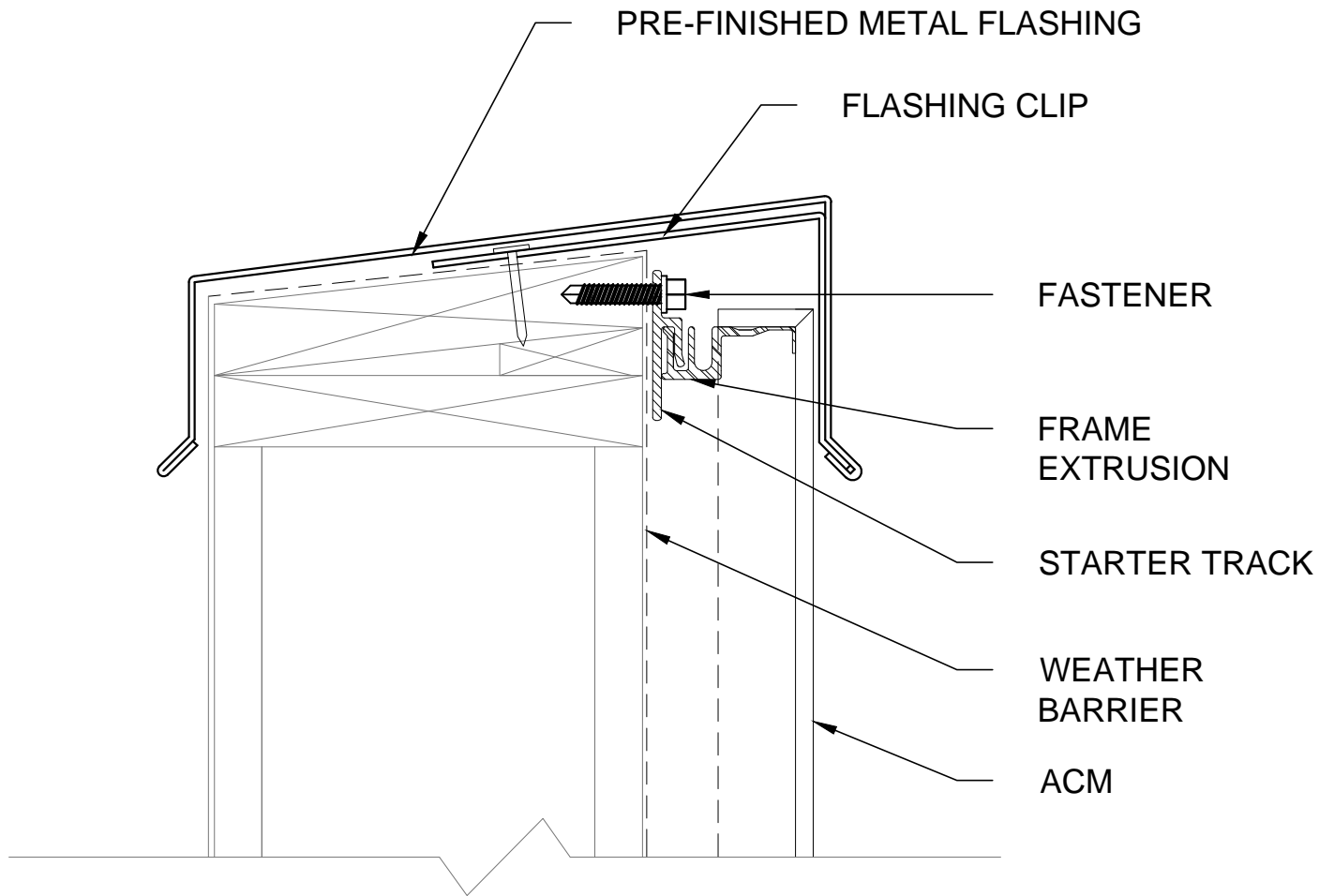
#101 - 199 Pinto Rd.
Kelowna, BC.V1V 2G9
Ph: (250) 765-8122
Fax: (250) 765-7063

DETAIL:

TT- 7 PARAPET CONDITION

TYPE:

SECTION



TOM AR
Roofing & Sheet Metal Ltd.

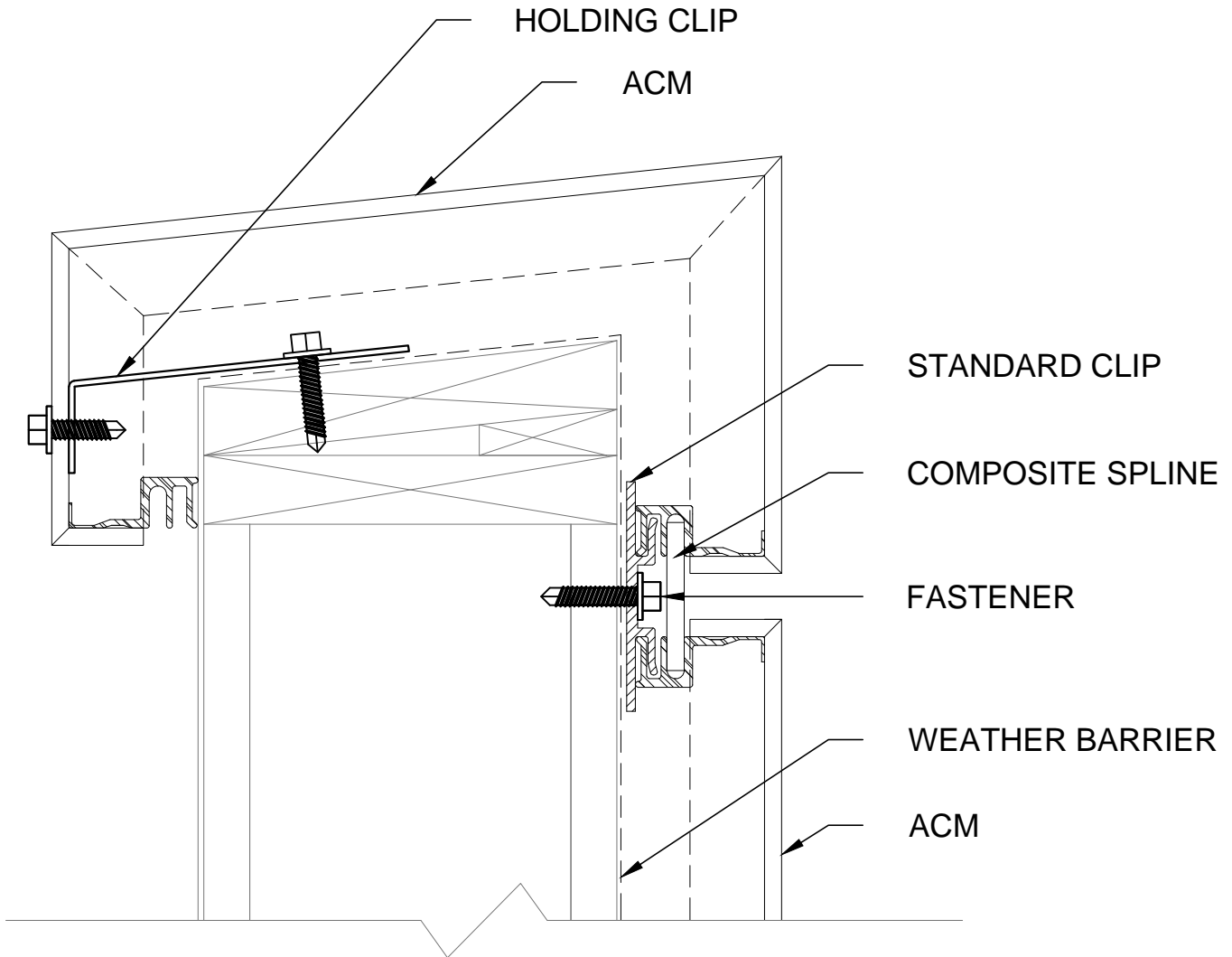
#101 - 199 Pinto Rd.
Kelowna, BC.V1V 2G9
Ph: (250) 765-8122
Fax: (250) 765-7063

DETAIL:

TT- 8 PARAPET CONDITION

TYPE:

SECTION



TOM TAR
Roofing & Sheet Metal Ltd.

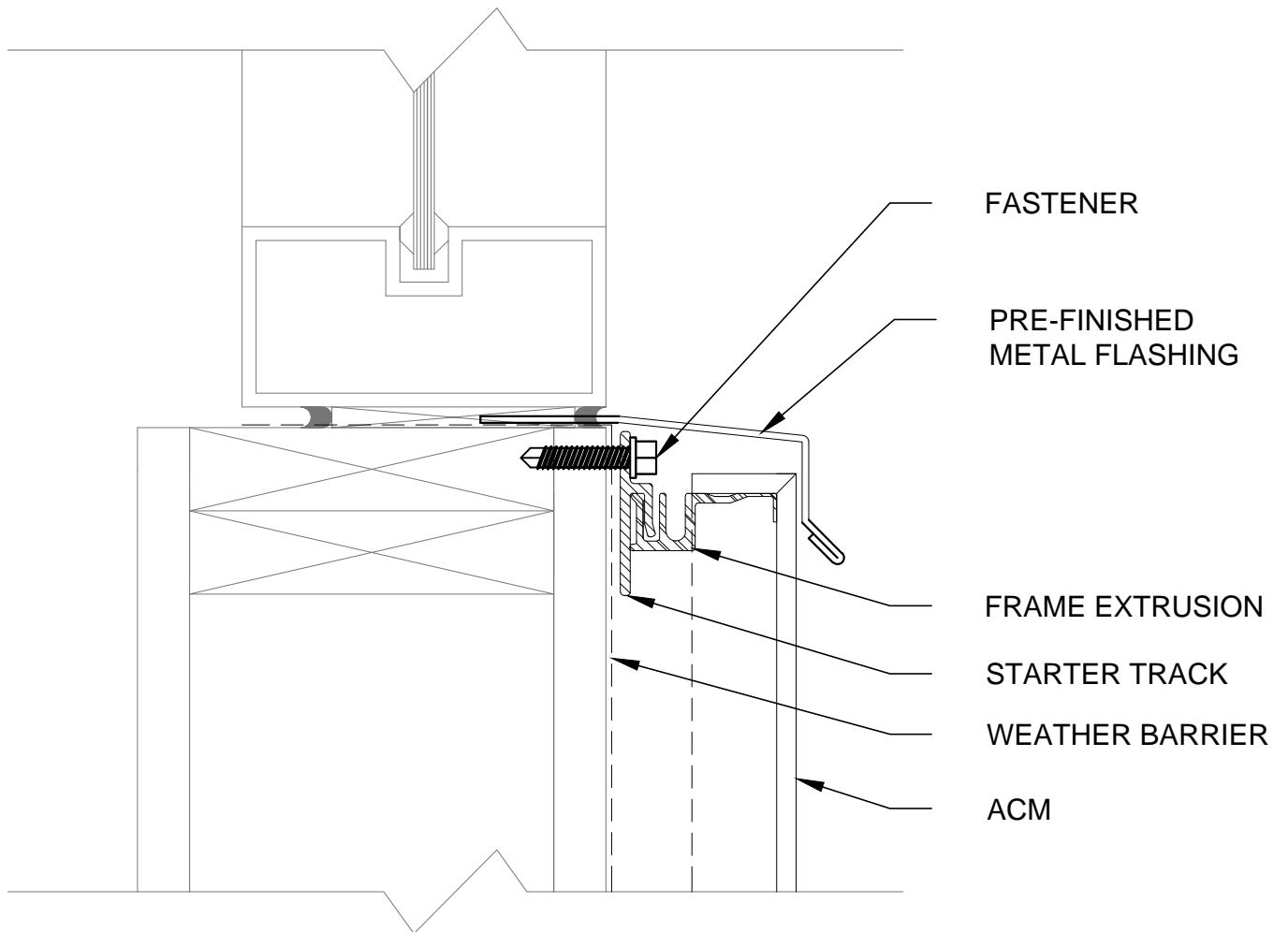
#101 - 199 Pinto Rd.
Kelowna, BC.V1V 2G9
Ph: (250) 765-8122
Fax: (250) 765-7063

DETAIL:

TT- 9 WINDOW SILL CONDITION

TYPE:

SECTION



TOM TAR
Roofing & Sheet Metal Ltd.

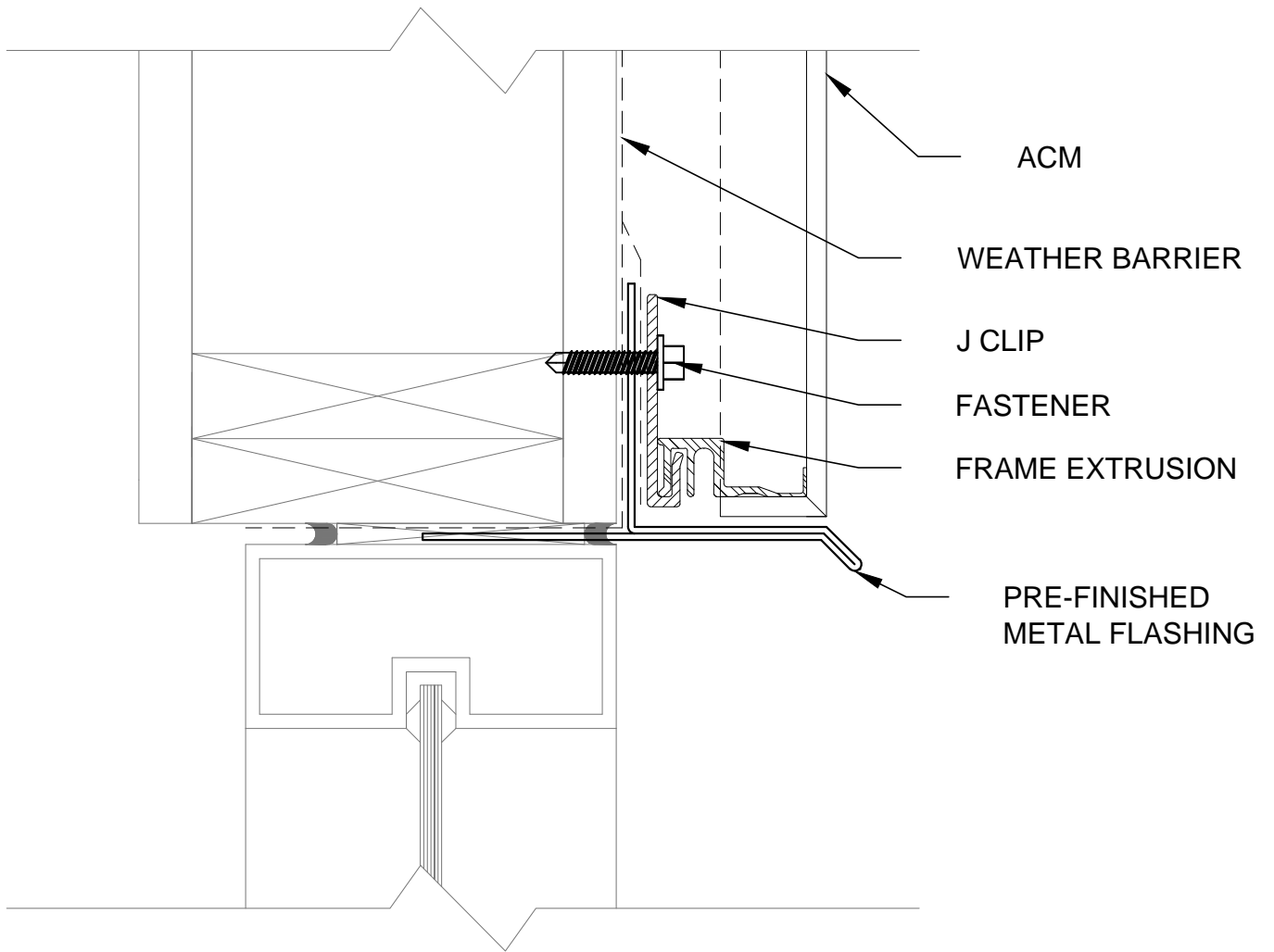
#101 - 199 Pinto Rd.
Kelowna, BC.V1V 2G9
Ph: (250) 765-8122
Fax: (250) 765-7063

DETAIL:

TT-10 WINDOW HEADER CONDITION

TYPE:

SECTION



TOM TAR
Roofing & Sheet Metal Ltd.

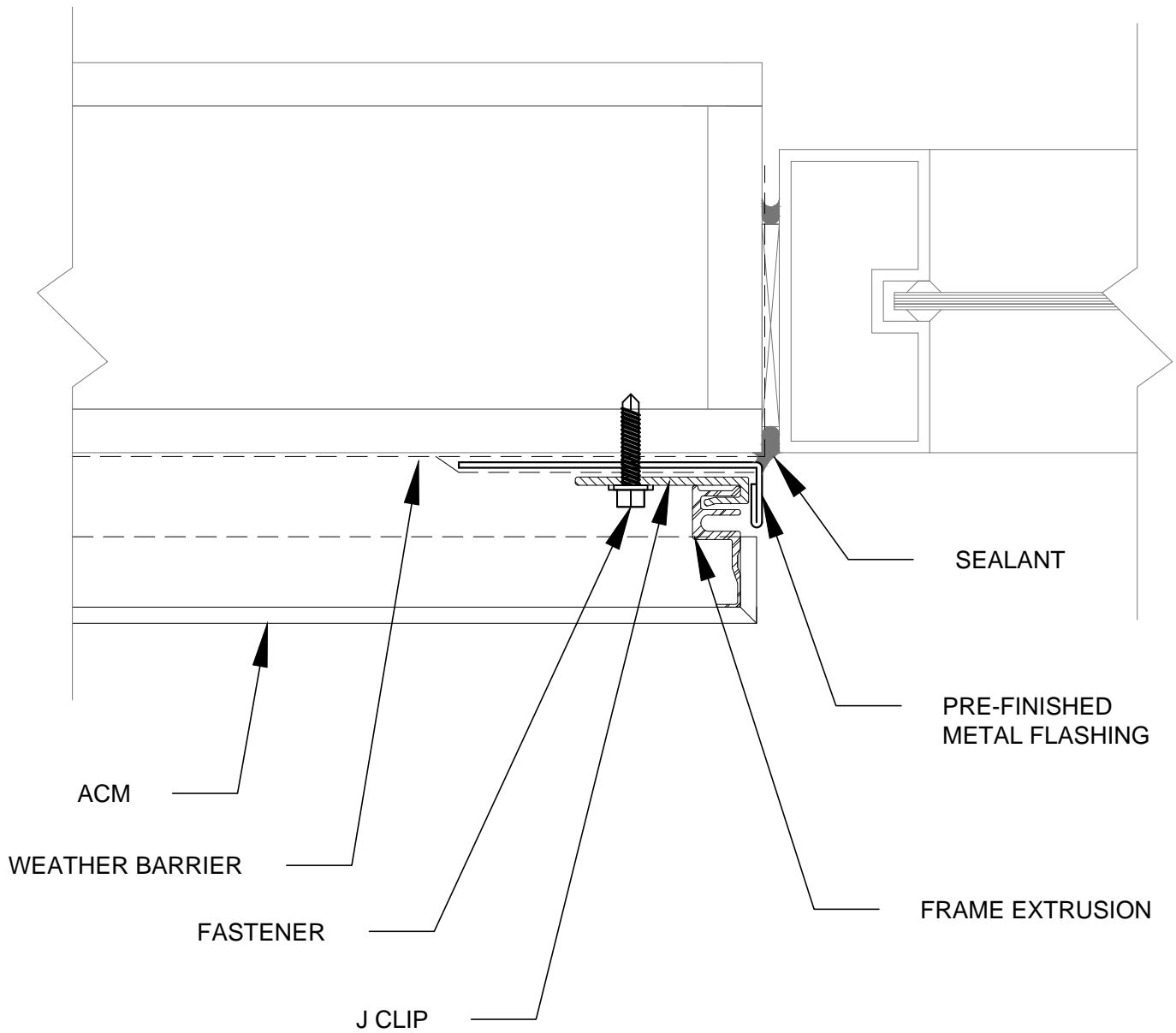
#101 - 199 Pinto Rd.
Kelowna, BC.V1V 2G9
Ph: (250) 765-8122
Fax: (250) 765-7063

DETAIL:

TT-11 WINDOW JAMB CONDITION

TYPE:

PLAN



TOM AR
Roofing & Sheet Metal Ltd.

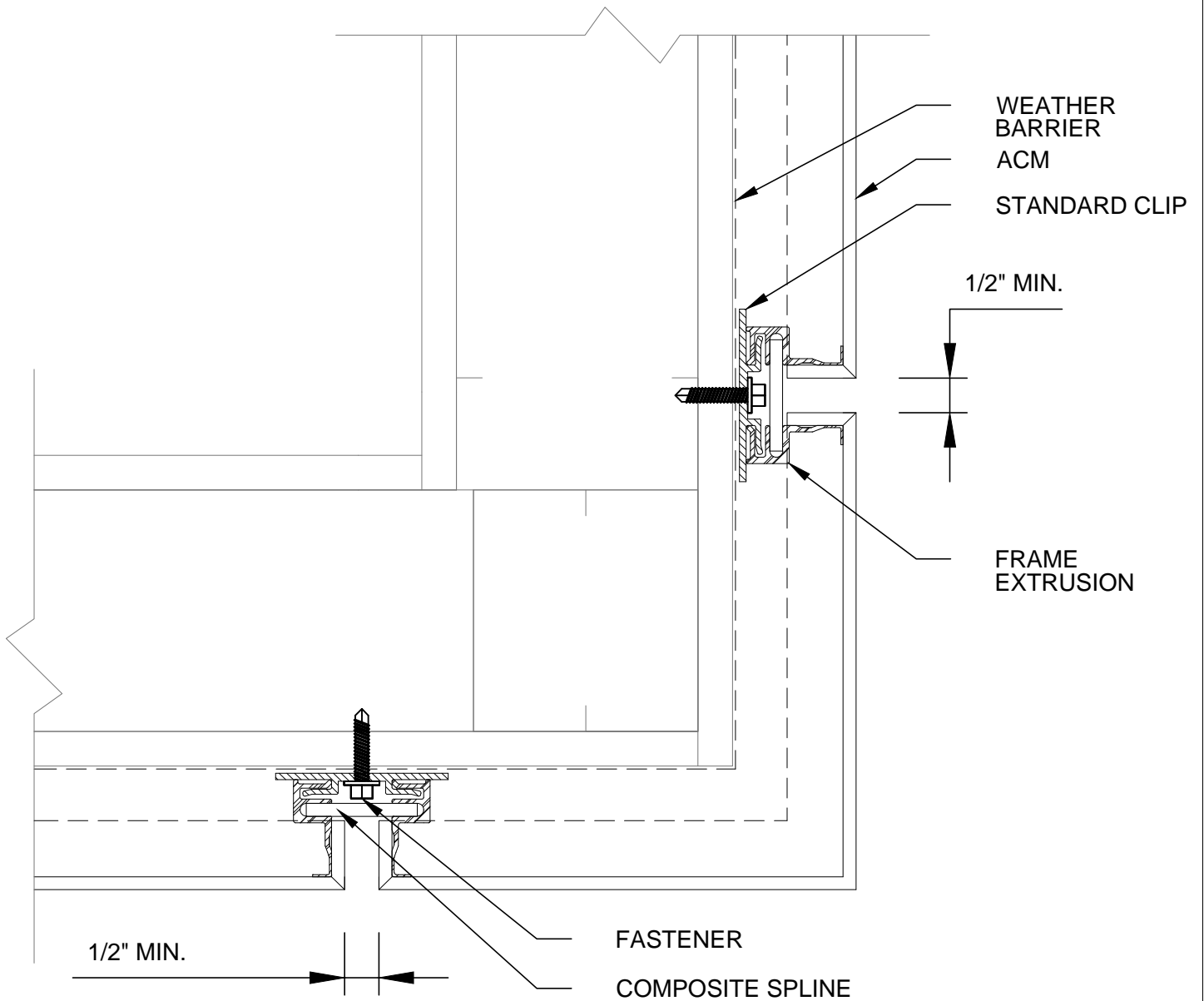
#101 - 199 Pinto Rd.
Kelowna, BC.V1V 2G9
Ph: (250) 765-8122
Fax: (250) 765-7063

DETAIL:

TT-12 OUTSIDE CORNER DETAIL

TYPE:

PLAN



TOM AR
Roofing & Sheet Metal Ltd.

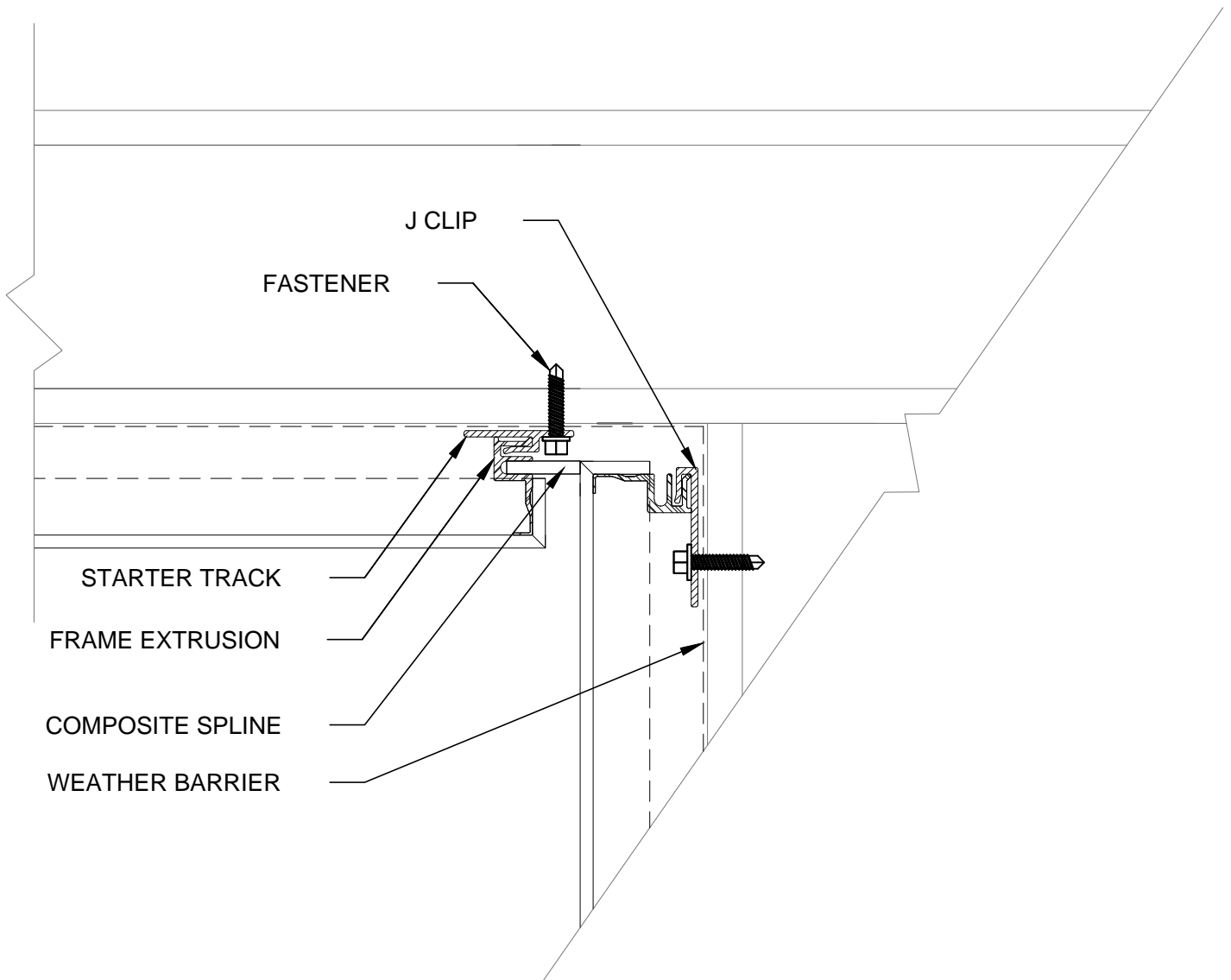
#101 - 199 Pinto Rd.
Kelowna, BC.V1V 2G9
Ph: (250) 765-8122
Fax: (250) 765-7063

DETAIL:

TT-13 INSIDE CORNER DETAIL

TYPE:

PLAN



TOM TAR
Roofing & Sheet Metal Ltd.

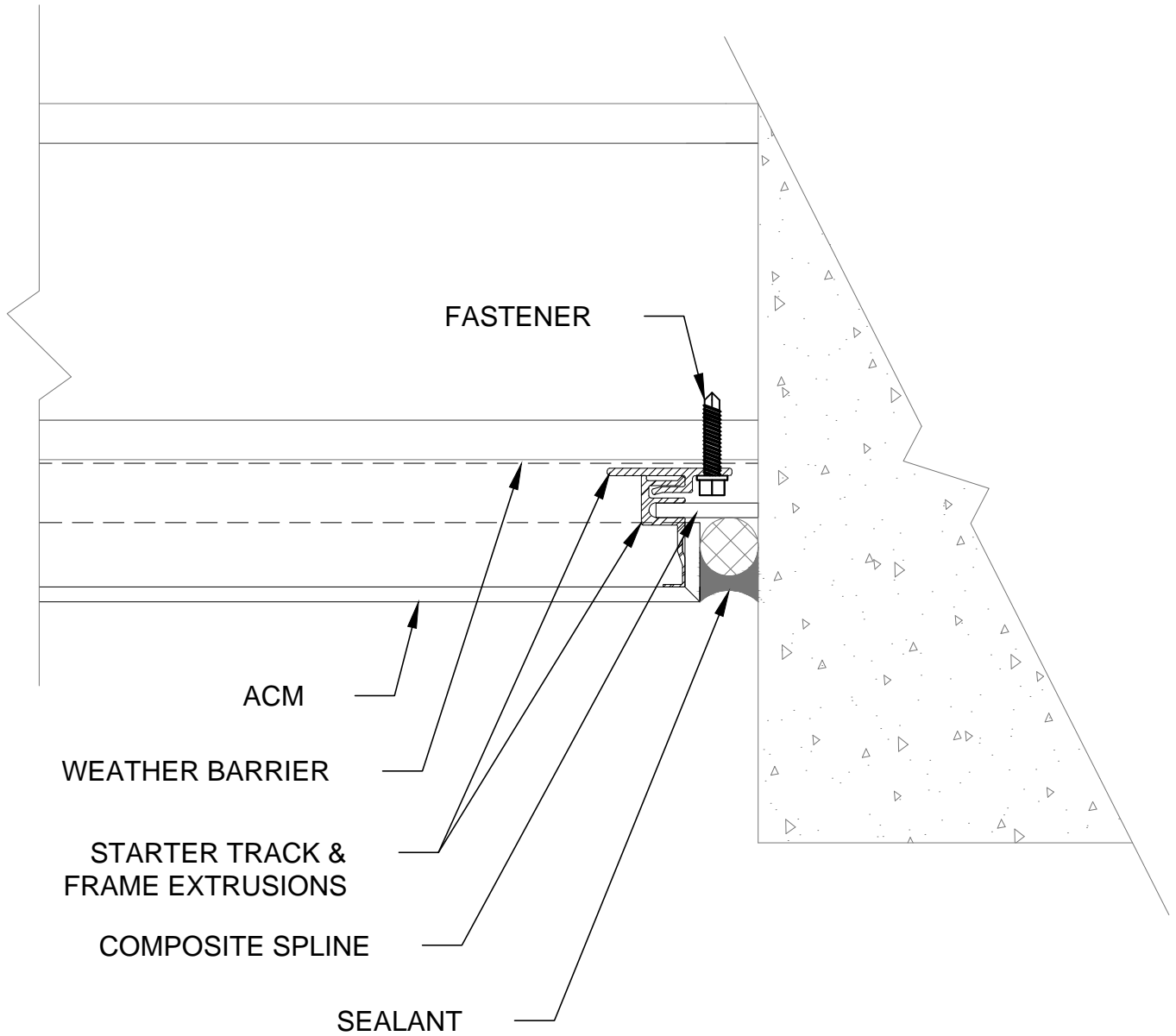
#101 - 199 Pinto Rd.
Kelowna, BC.V1V 2G9
Ph: (250) 765-8122
Fax: (250) 765-7063

DETAIL:

TT-14 WALL TERM. CONDITION

TYPE:

PLAN



TOM TAR
Roofing & Sheet Metal Ltd.

#101 - 199 Pinto Rd.
Kelowna, BC.V1V 2G9
Ph: (250) 765-8122
Fax: (250) 765-7063

DETAIL:

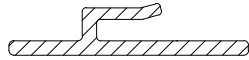
ATTACHED COMPONENTS

TYPE:

SPECIFICATIONS



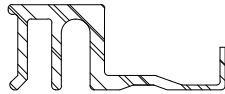
STANDARD CLIP



STARTER TRACK



J CLIP



FRAME EXTRUSION

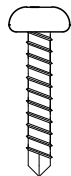


COMPOSITE SPLINE



WEATHER BARRIER

FASTENERS:



#10 - #16, 1-1/4" PAN HEAD STAINLESS
STEEL ROBINSON SCREW

APPLICATION:

FASTENS MOUNTING
EXTRUSIONS TO STUDS
16" O/C.



3/8" BY 1/8"Ø STAINLESS STEEL RIVET

APPLICATION:

SECURES ACM COMPOSITE TO FRAME
EXTRUSION

TOM AR
Roofing & Sheet Metal Ltd.

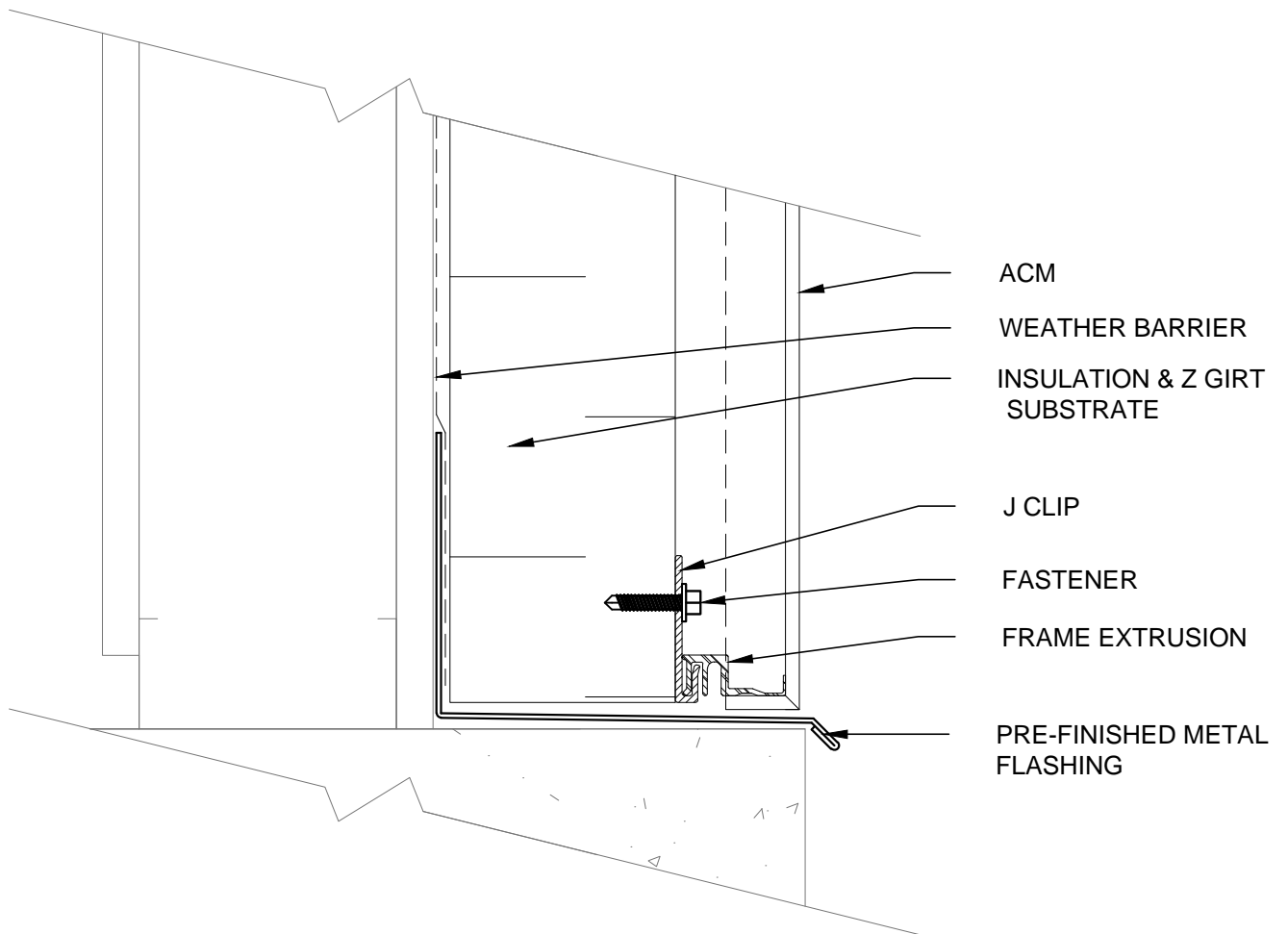
#101 - 199 Pinto Rd.
Kelowna, BC.V1V 2G9
Ph: (250) 765-8122
Fax: (250) 765-7063

DETAIL:

**TT- 2 BASE WALL CONDITION
W/ STARTER TRACK**

TYPE:

SECTION



TOM AR
Roofing & Sheet Metal Ltd.

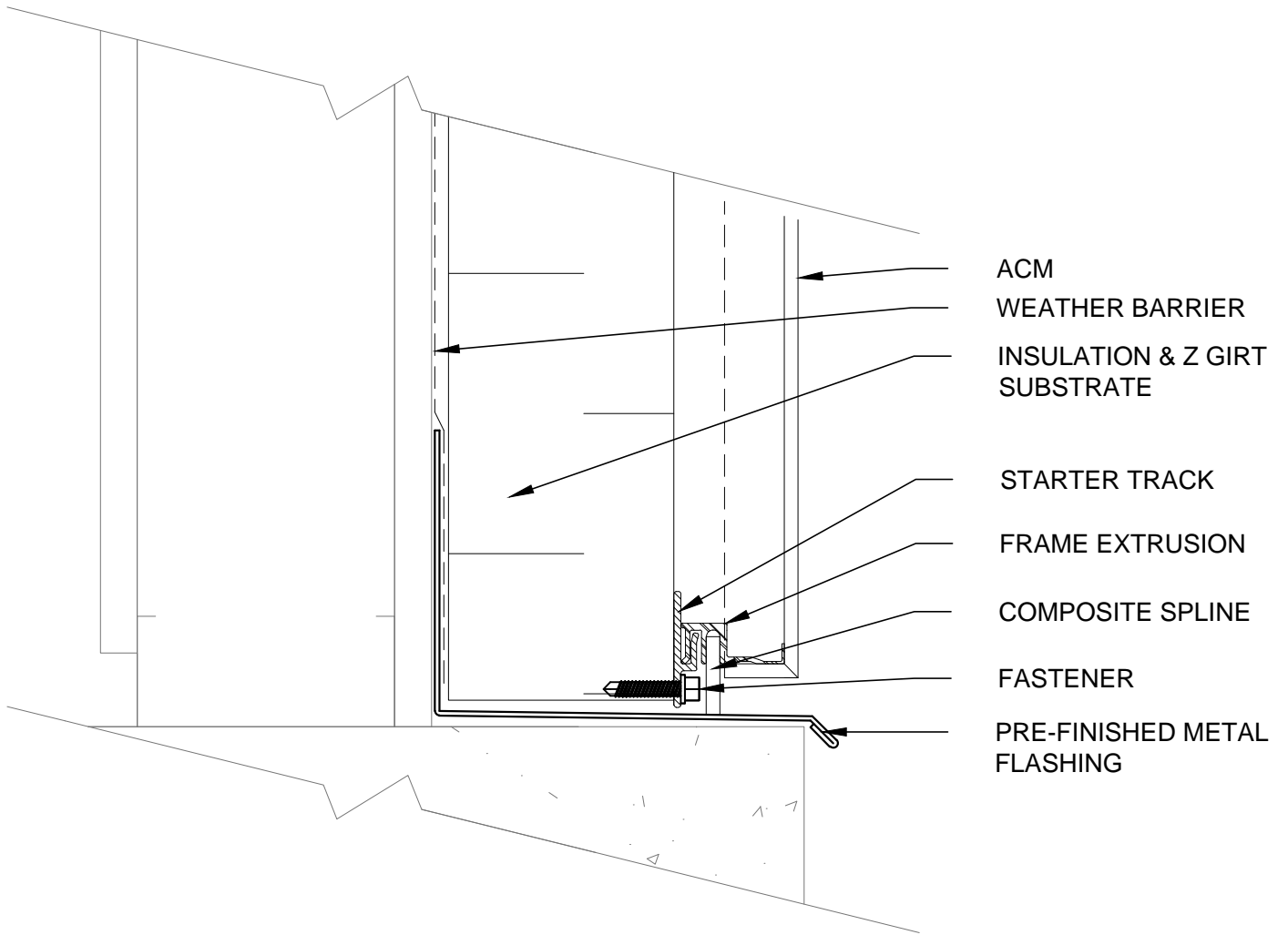
#101 - 199 Pinto Rd.
Kelowna, BC.V1V 2G9
Ph: (250) 765-8122
Fax: (250) 765-7063

DETAIL:

**TT- 2A BASE WALL CONDITION
W/ J CLIP**

TYPE:

SECTION



- ACM
- WEATHER BARRIER
- INSULATION & Z GIRTSUBSTRATE
- STARTER TRACK
- FRAME EXTRUSION
- COMPOSITE SPLINE
- FASTENER
- PRE-FINISHED METAL FLASHING

TOM AR
Roofing & Sheet Metal Ltd.

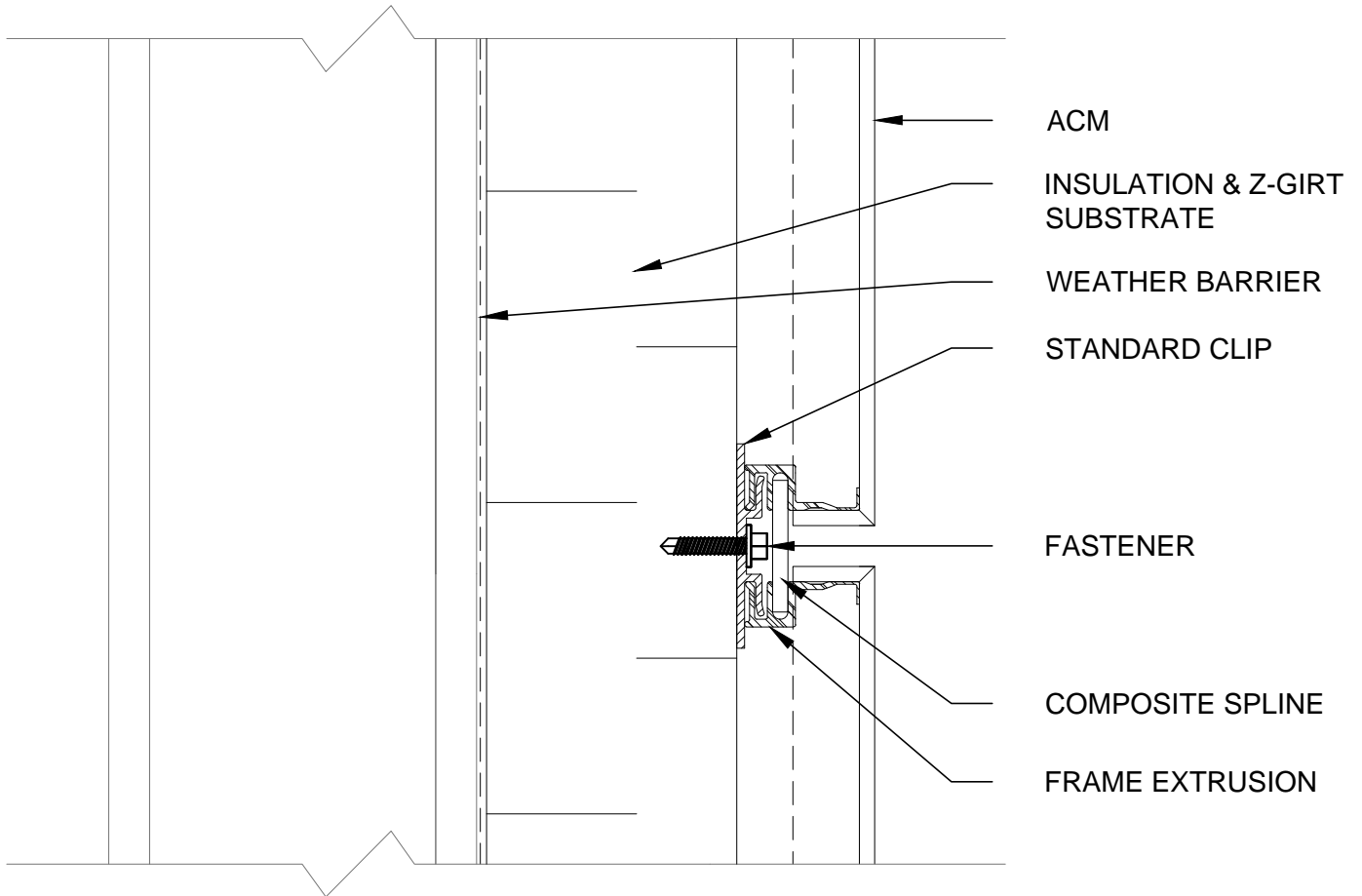
#101 - 199 Pinto Rd.
Kelowna, BC.V1V 2G9
Ph: (250) 765-8122
Fax: (250) 765-7063

DETAIL:

TT- 3 HORIZONTAL JOINT

TYPE:

SECTION



TOM AR
Roofing & Sheet Metal Ltd.

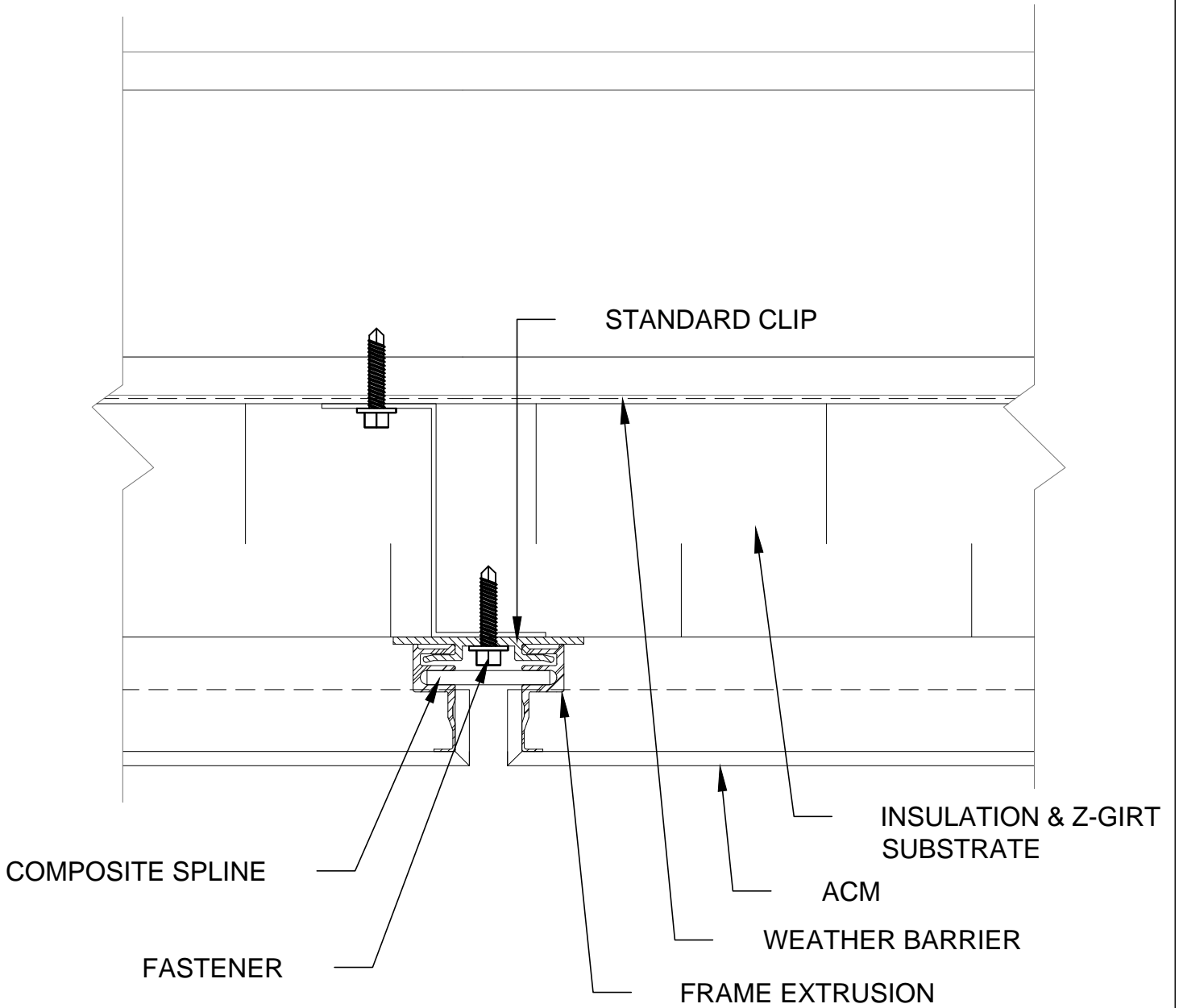
#101 - 199 Pinto Rd.
Kelowna, BC.V1V 2G9
Ph: (250) 765-8122
Fax: (250) 765-7063

DETAIL:

TT- 4 VERTICAL JOINT

TYPE:

PLAN



TOM AR
Roofing & Sheet Metal Ltd.

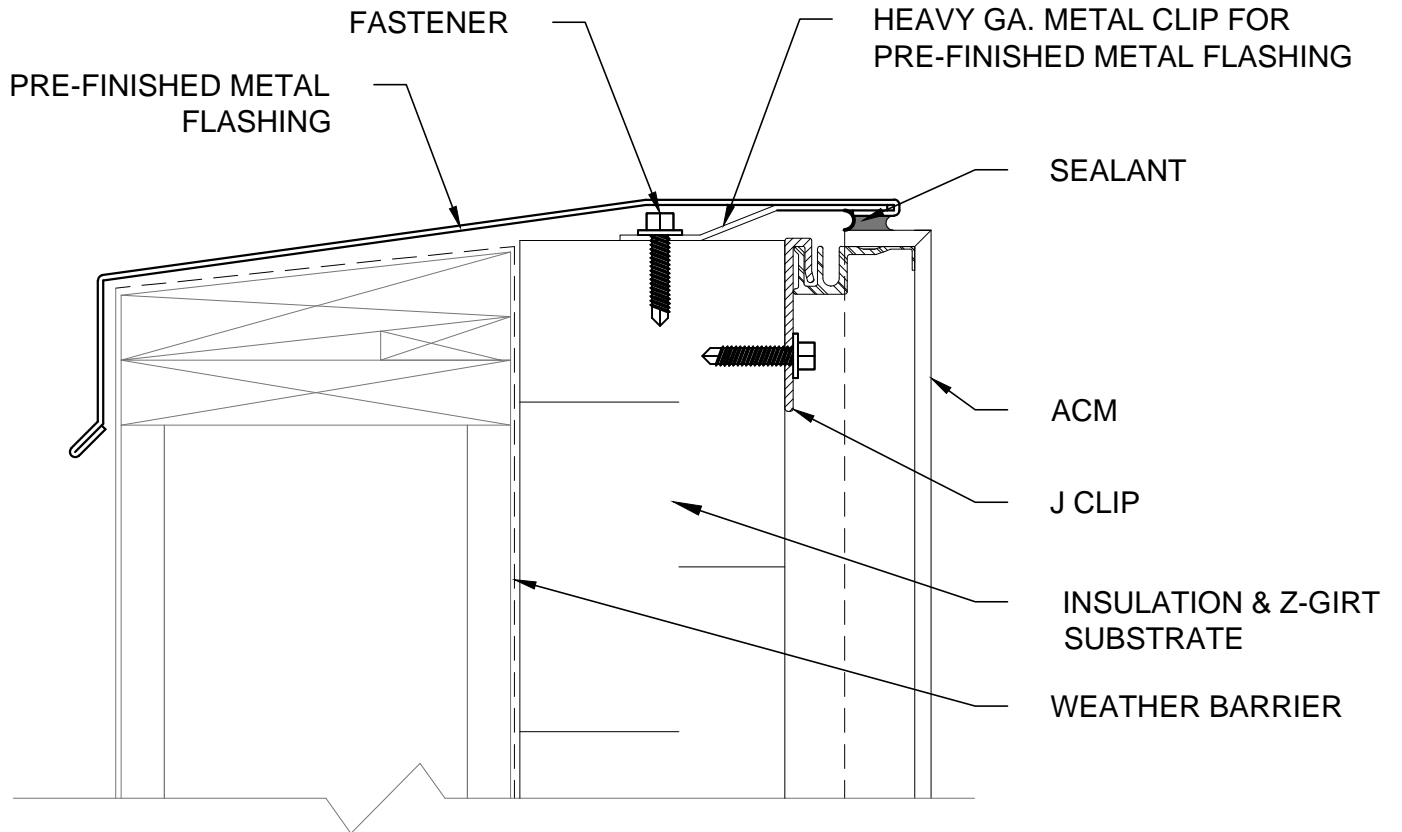
#101 - 199 Pinto Rd.
Kelowna, BC.V1V 2G9
Ph: (250) 765-8122
Fax: (250) 765-7063

DETAIL:

TT- 5 PARAPET CONDITION

TYPE:

SECTION



TOM AR
Roofing & Sheet Metal Ltd.

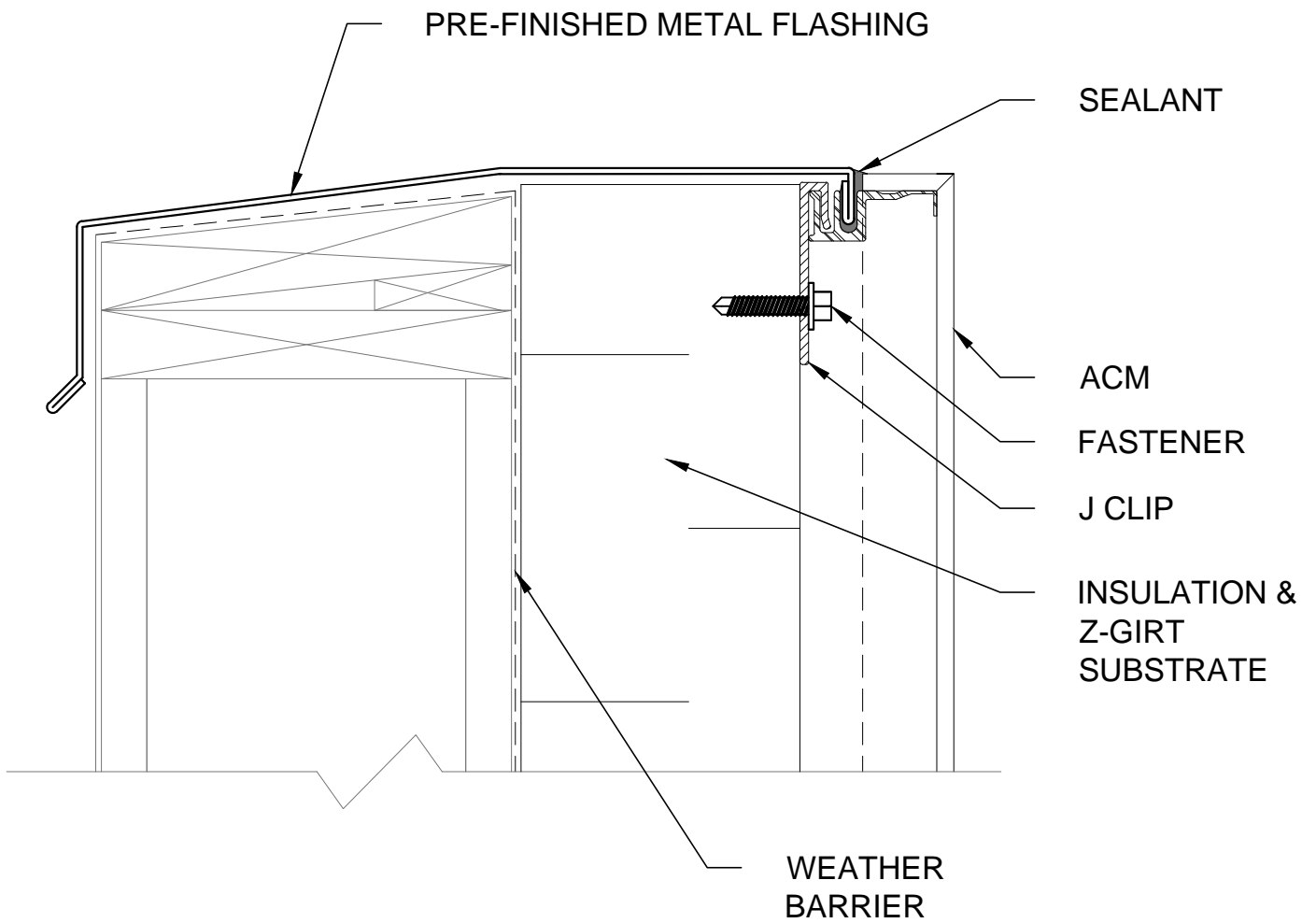
#101 - 199 Pinto Rd.
Kelowna, BC.V1V 2G9
Ph: (250) 765-8122
Fax: (250) 765-7063

DETAIL:

TT- 6 PARAPET CONDITION

TYPE:

SECTION



TOM AR
Roofing & Sheet Metal Ltd.

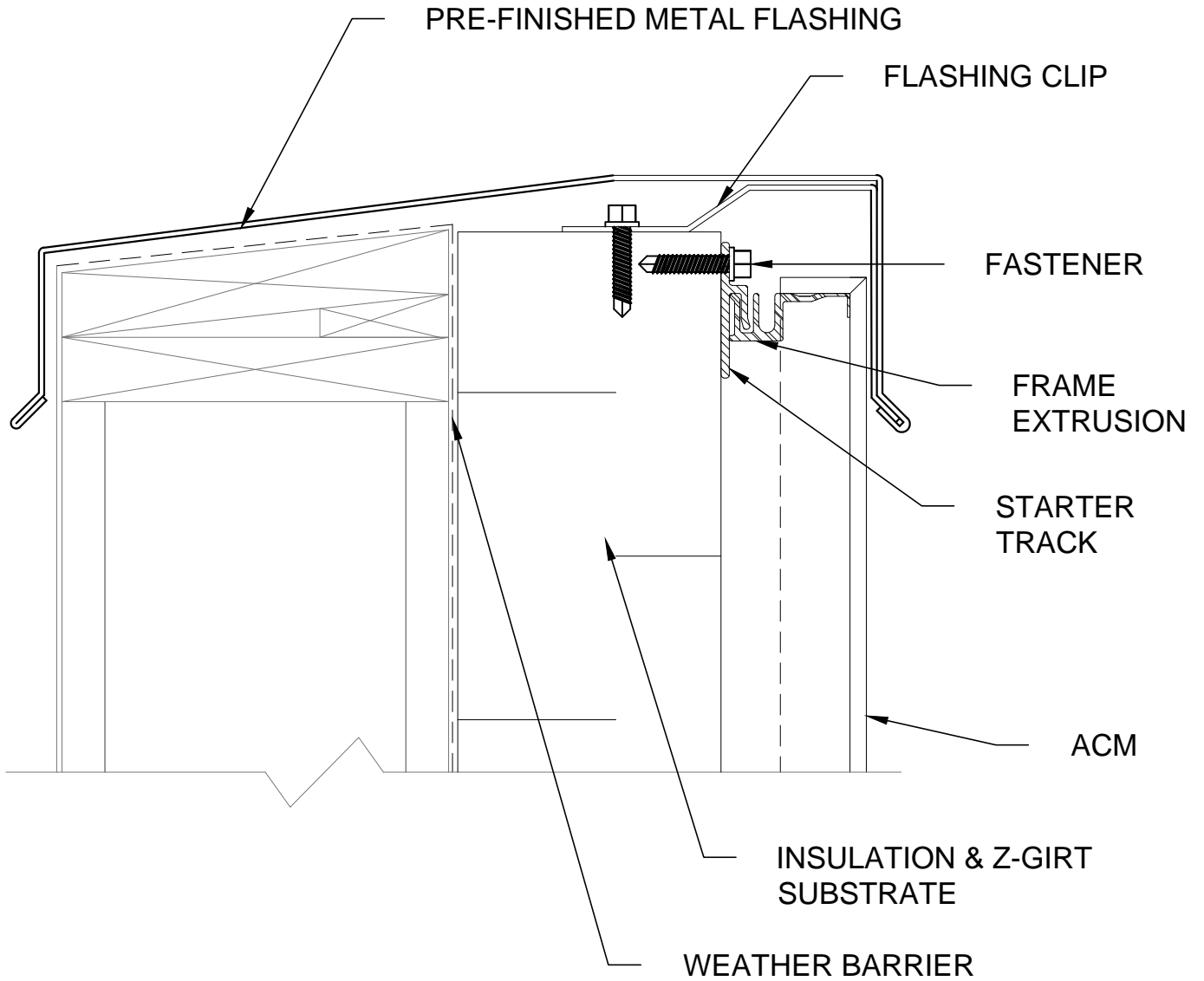
#101 - 199 Pinto Rd.
Kelowna, BC.V1V 2G9
Ph: (250) 765-8122
Fax: (250) 765-7063

DETAIL:

TT- 7 PARAPET CONDITION

TYPE:

SECTION



TOM AR
Roofing & Sheet Metal Ltd.

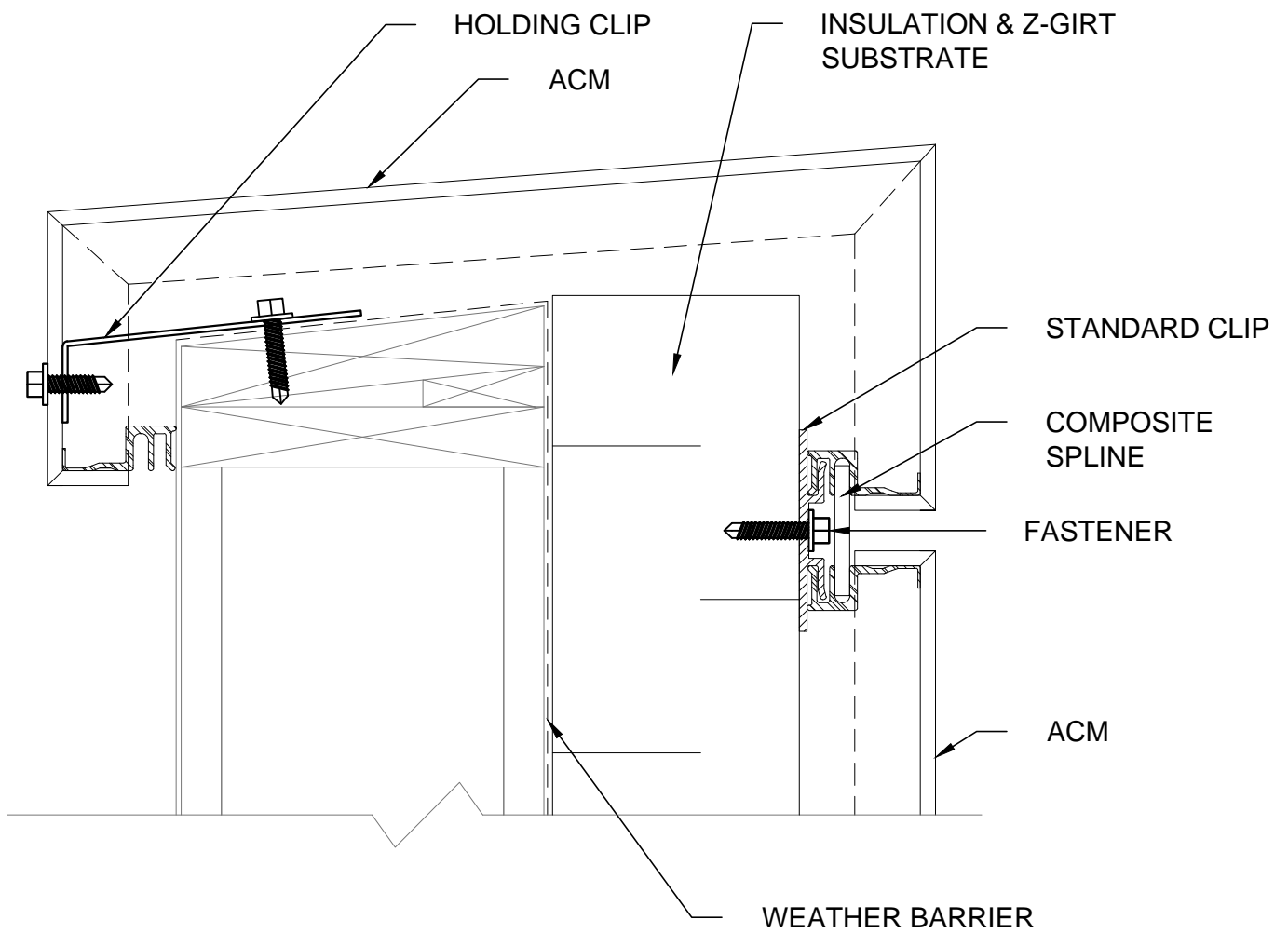
#101 - 199 Pinto Rd.
Kelowna, BC.V1V 2G9
Ph: (250) 765-8122
Fax: (250) 765-7063

DETAIL:

TT- 8 PARAPET CONDITION

TYPE:

SECTION



TOM AR
Roofing & Sheet Metal Ltd.

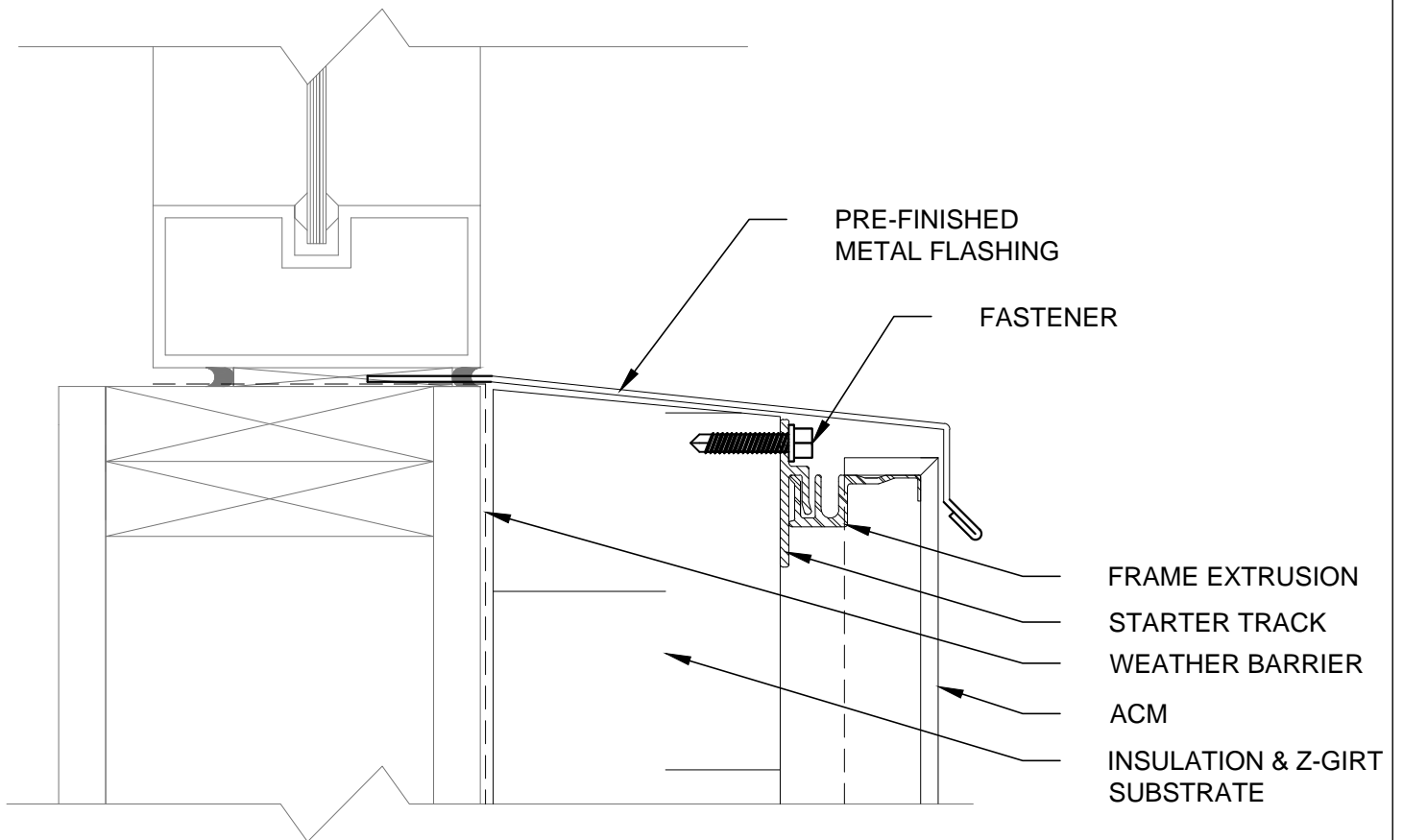
#101 - 199 Pinto Rd.
Kelowna, BC.V1V 2G9
Ph: (250) 765-8122
Fax: (250) 765-7063

DETAIL:

TT- 9 WINDOW SILL CONDITION

TYPE:

SECTION



TOM TAR
Roofing & Sheet Metal Ltd.

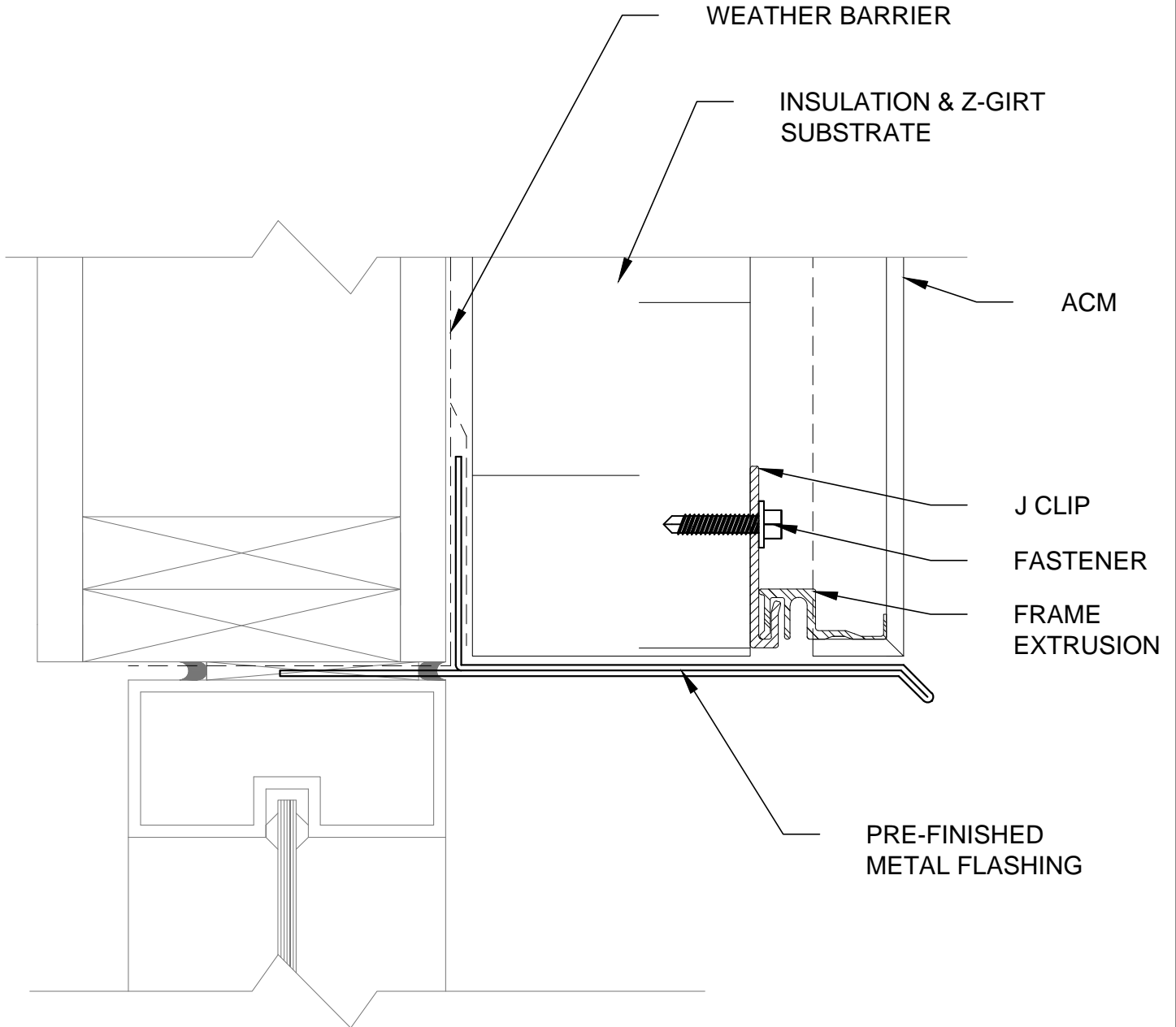
#101 - 199 Pinto Rd.
Kelowna, BC.V1V 2G9
Ph: (250) 765-8122
Fax: (250) 765-7063

DETAIL:

TT-10 WINDOW HEADER CONDITION

TYPE:

SECTION



TOM AR
Roofing & Sheet Metal Ltd.

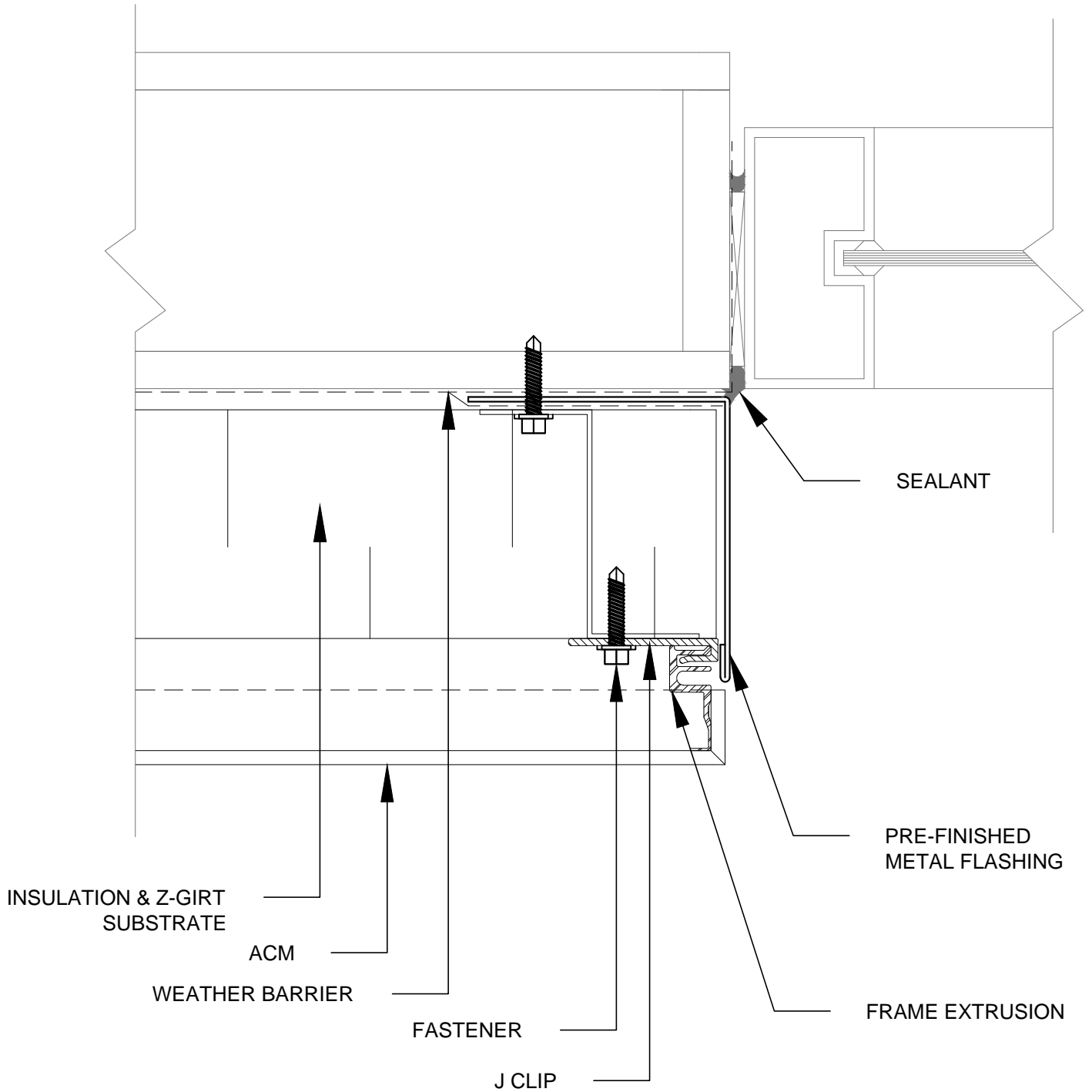
#101 - 199 Pinto Rd.
Kelowna, BC.V1V 2G9
Ph: (250) 765-8122
Fax: (250) 765-7063

DETAIL:

TT-11 WINDOW JAMB CONDITION

TYPE:

PLAN



TOM AR
Roofing & Sheet Metal Ltd.

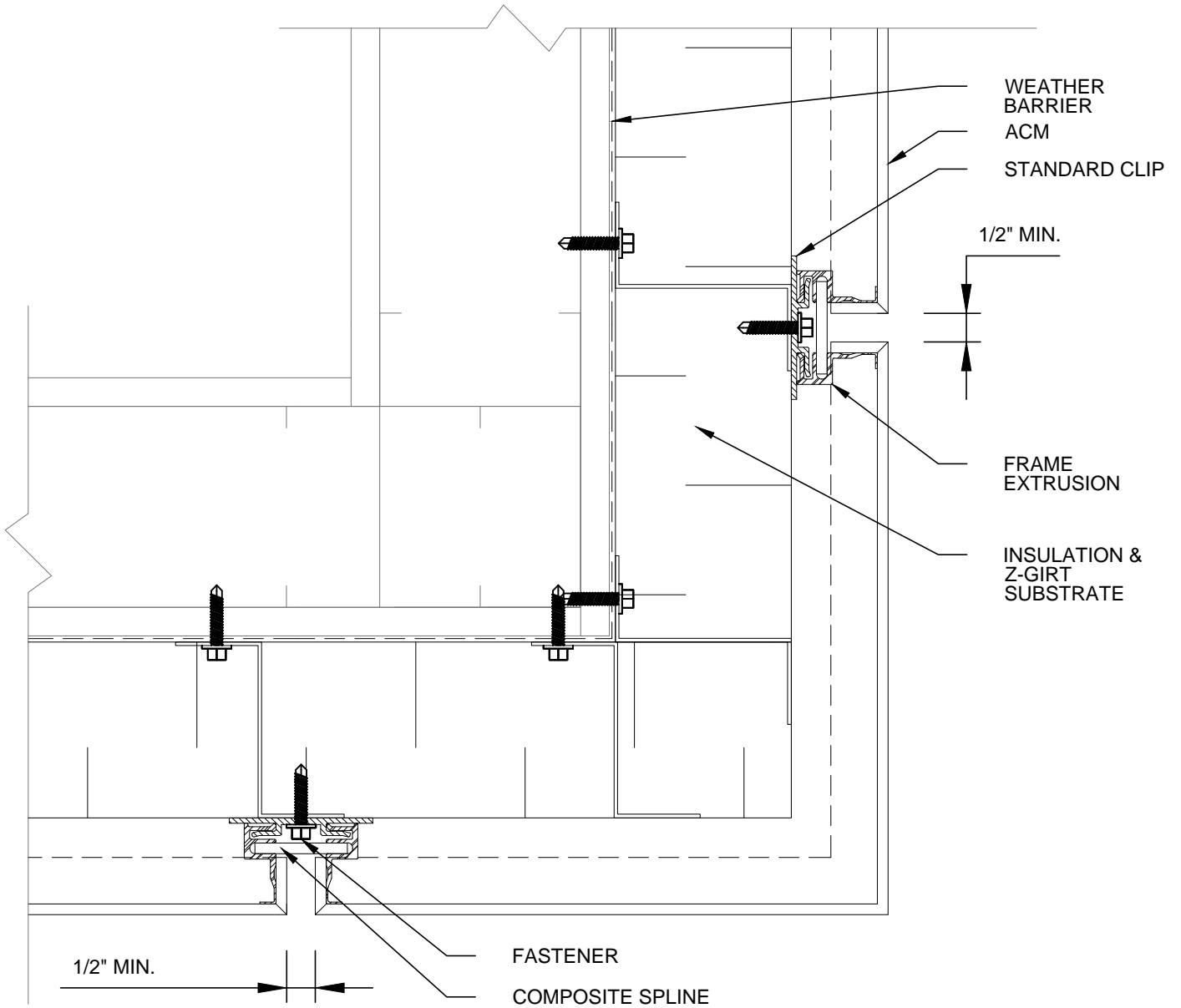
#101 - 199 Pinto Rd.
Kelowna, BC.V1V 2G9
Ph: (250) 765-8122
Fax: (250) 765-7063

DETAIL:

TT-12 OUTSIDE CORNER DETAIL

TYPE:

PLAN



TOM AR
Roofing & Sheet Metal Ltd.

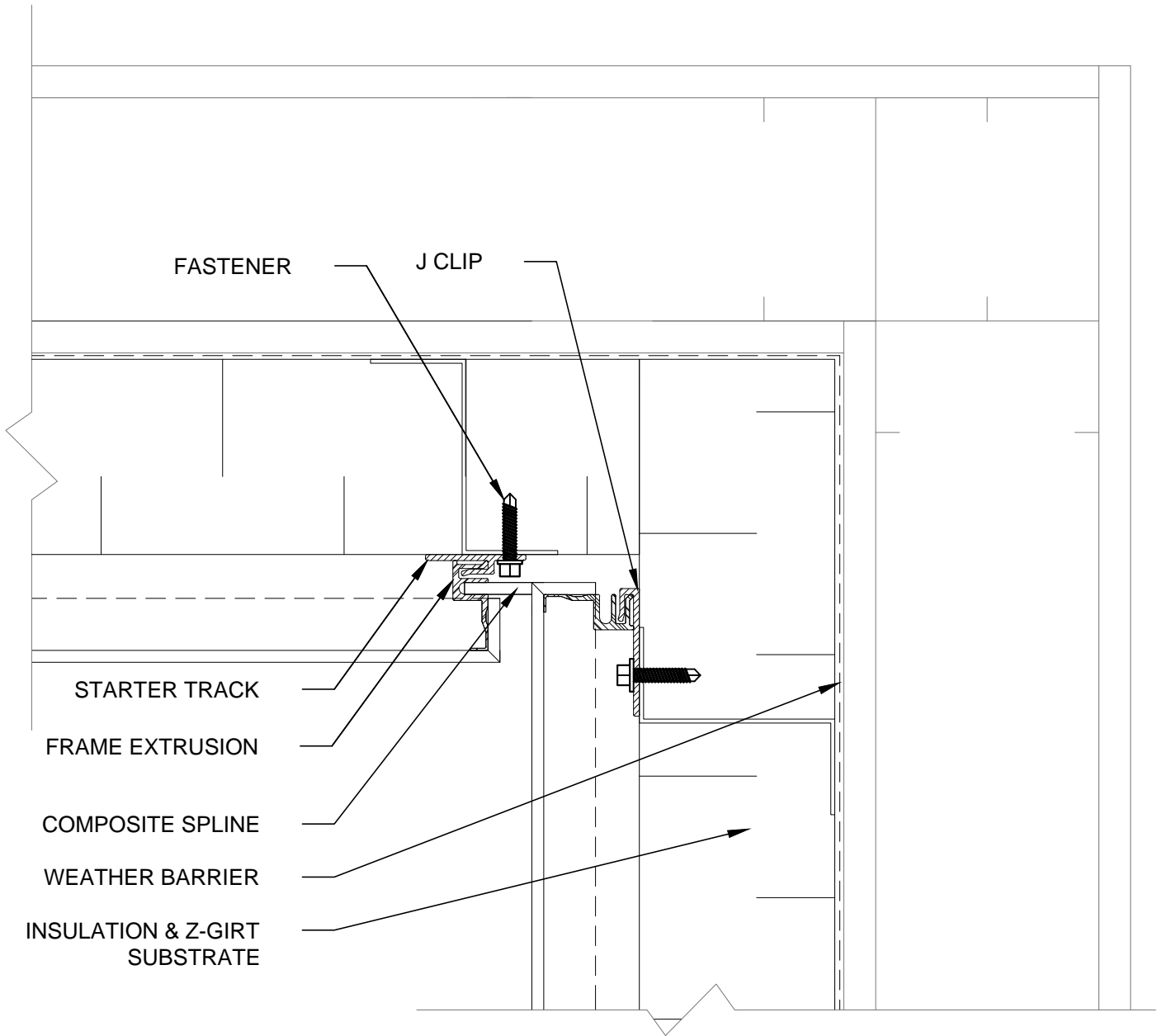
#101 - 199 Pinto Rd.
Kelowna, BC.V1V 2G9
Ph: (250) 765-8122
Fax: (250) 765-7063

DETAIL:

TT-13 INSIDE CORNER DETAIL

TYPE:

PLAN



TOM AR
Roofing & Sheet Metal Ltd.

#101 - 199 Pinto Rd.
Kelowna, BC.V1V 2G9
Ph: (250) 765-8122
Fax: (250) 765-7063

DETAIL:

TT-14 WALL TERM. CONDITION

TYPE:

PLAN

