

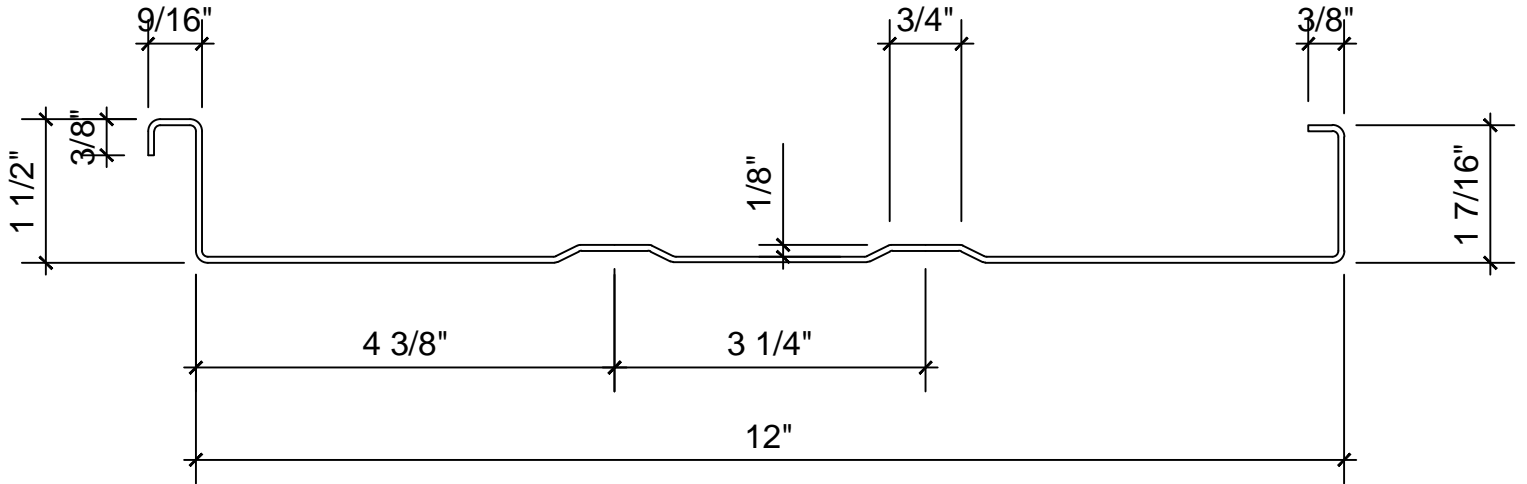
DETAIL:

STANDING FIRST SEAM 12" WIDE ROOFING
PANEL

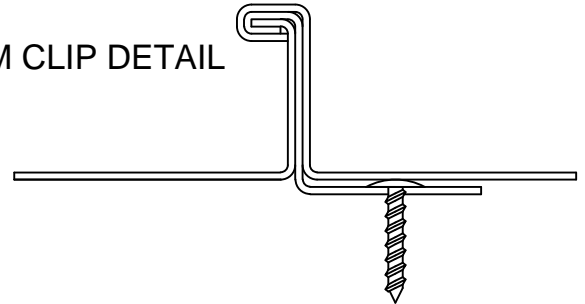
TYPE:

PROFILE DIMENSIONS, CLIP & ASSEMBLY

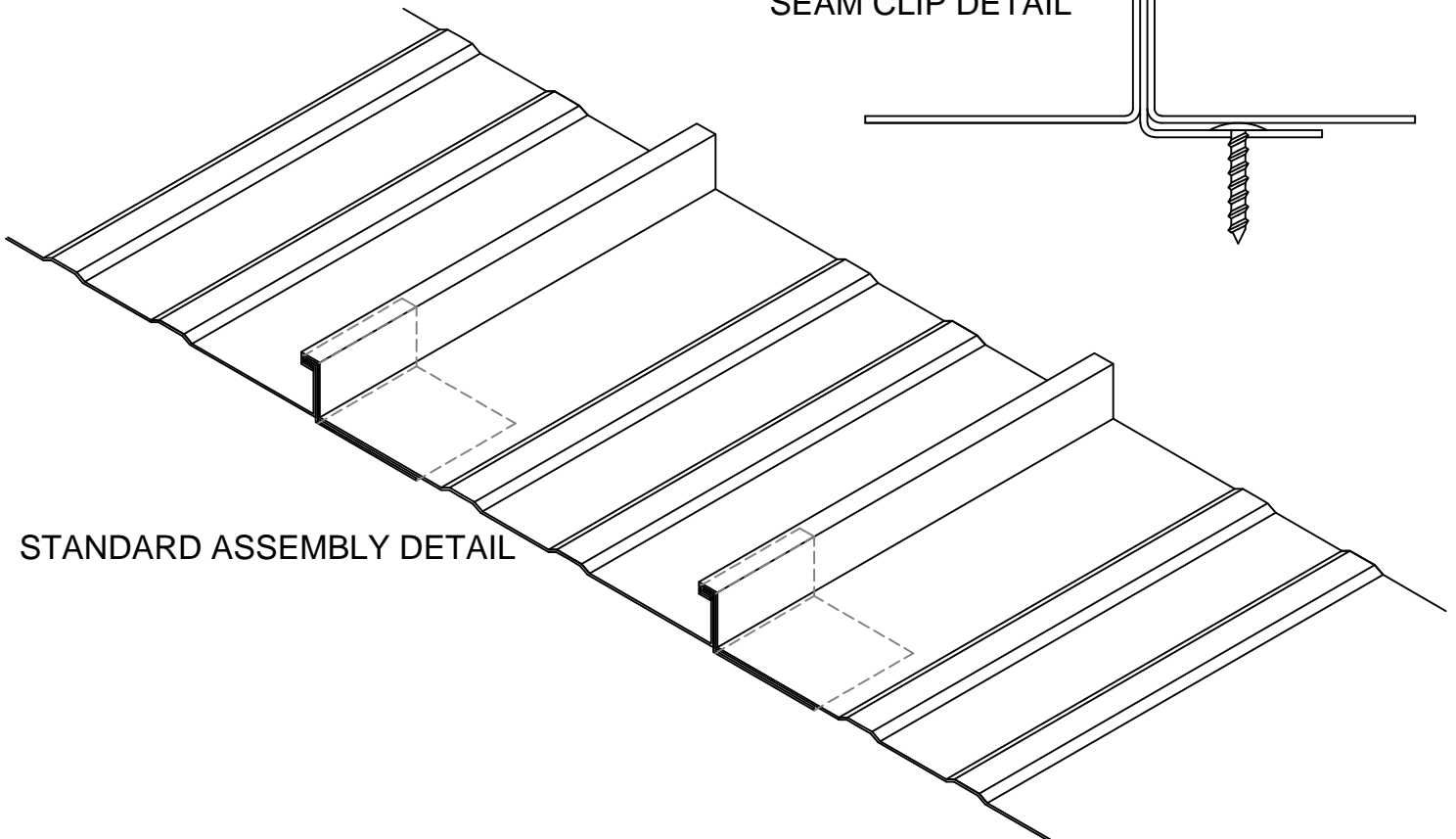
PROFILE DIMENSIONS



SEAM CLIP DETAIL



STANDARD ASSEMBLY DETAIL



TOM AR

Roofing & Sheet Metal Ltd.

#101 - 199 Pinto Rd.
Kelowna, BC.V1V 2G9
Ph: (250) 765-8122
Fax: (250) 765-7063

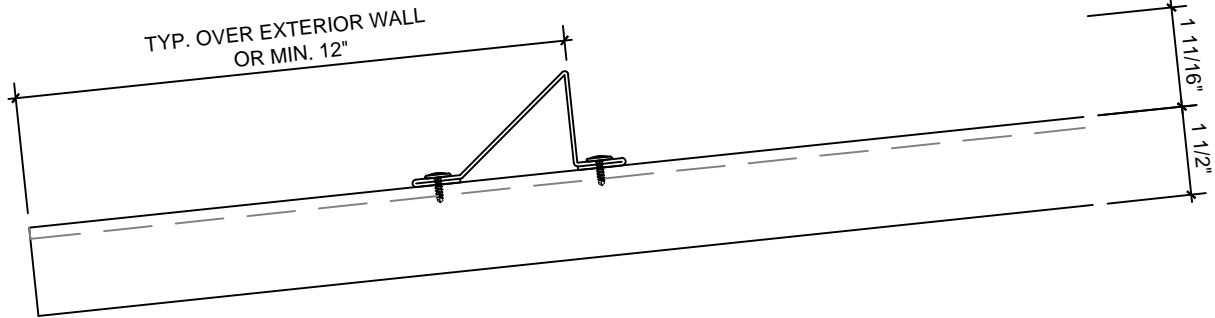
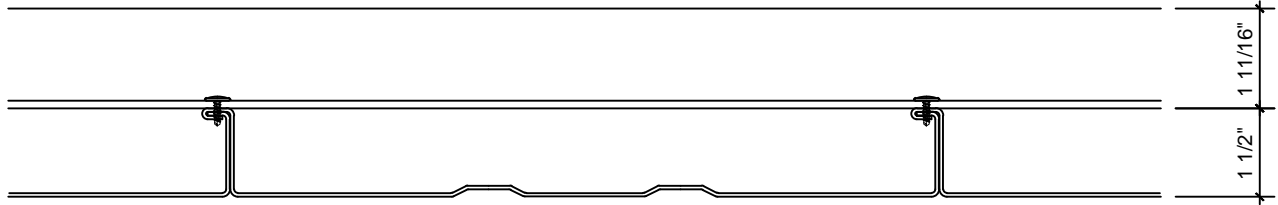
DETAIL:

STANDARD SNOW STOP OVER
STANDING FIRST SEAM ROOFING PANEL

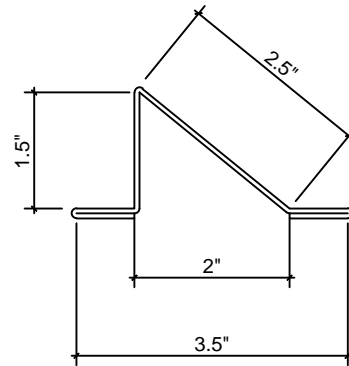
TYPE:

PROFILE DIMENSIONS & ASSEMBLY

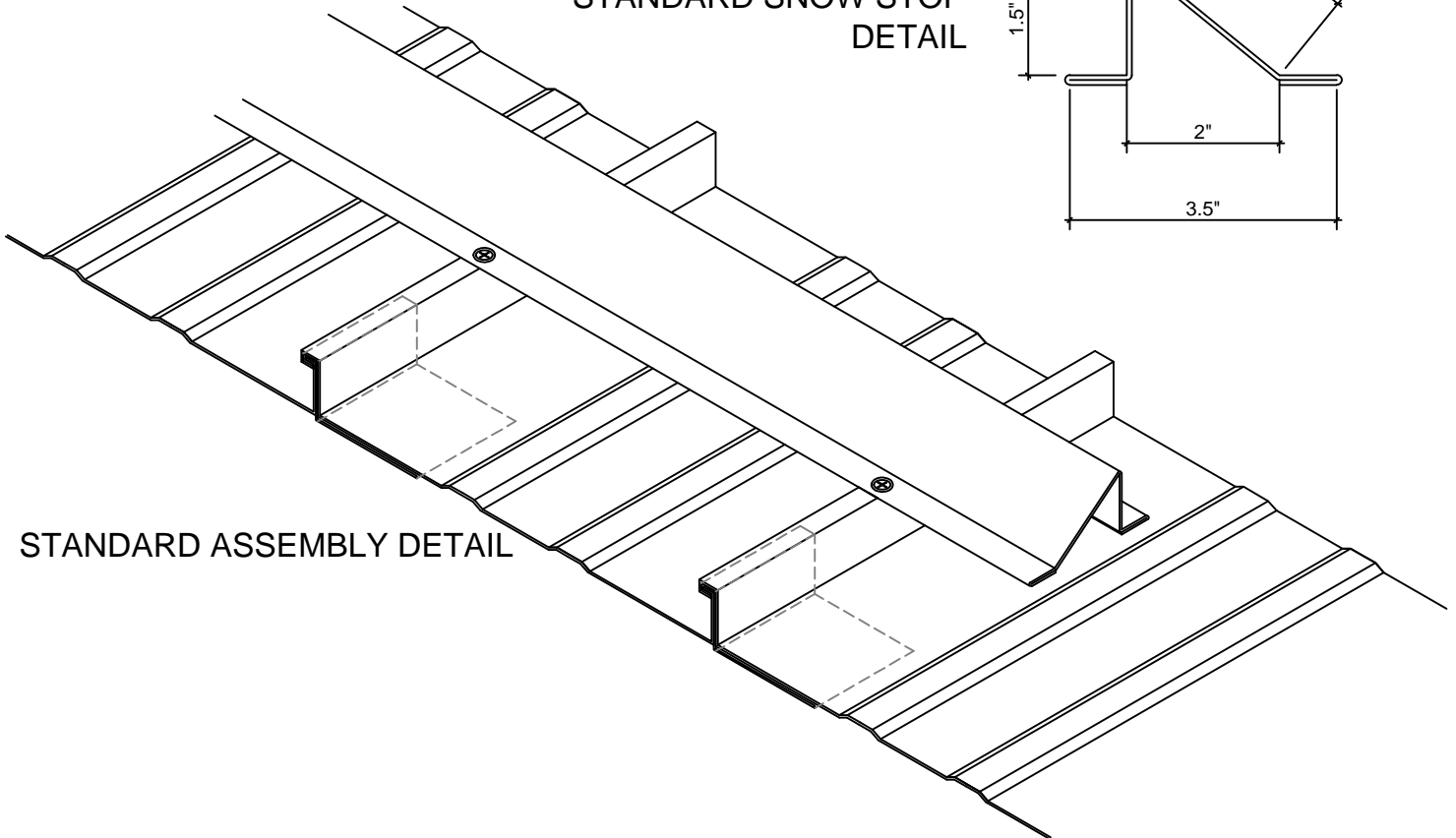
PROFILE DIMENSIONS



STANDARD SNOW STOP DETAIL



STANDARD ASSEMBLY DETAIL



TOM AR

Roofing & Sheet Metal Ltd.

#101 - 199 Pinto Rd.
 Kelowna, BC.V1V 2G9
 Ph: (250) 765-8122
 Fax: (250) 765-7063

DETAIL:

RAIL & CLAMP SNOW GAURD OVER
 STANDING FIRST SEAM ROOFING PANEL

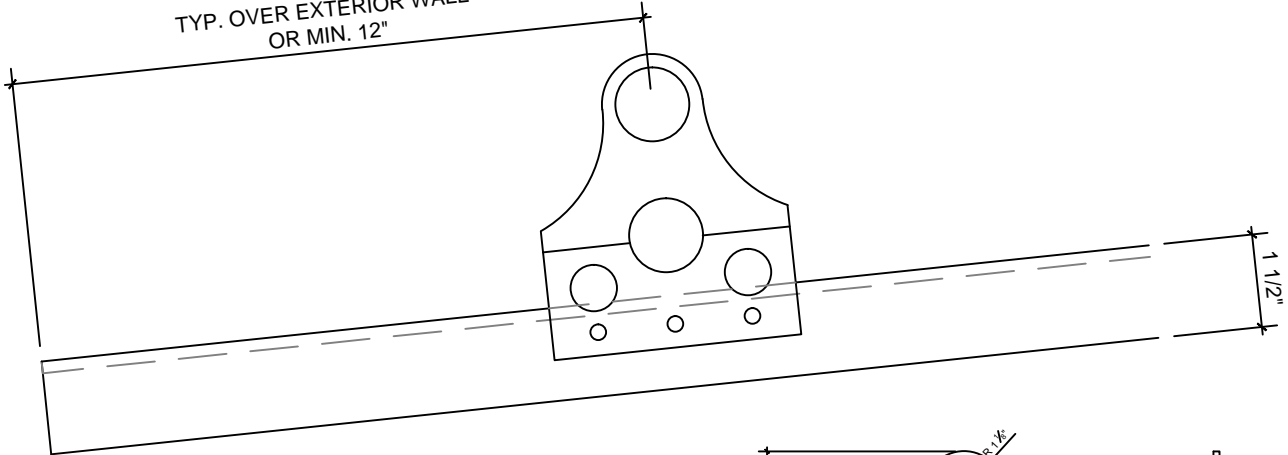
TYPE:

PROFILE DIMENSIONS & ASSEMBLY

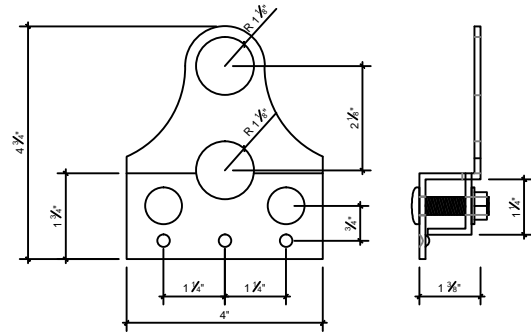
PROFILE DIMENSIONS



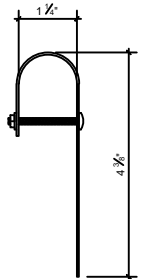
TYP. OVER EXTERIOR WALL
 OR MIN. 12"



SNOW STOP
 BRACKET DETAIL



OPTIONAL SNOW
 RAKE



STANDARD ASSEMBLY DETAIL

